

Somnia

Design: A. Casati



Description

Extendable dining table, with top and extensions in glass or ceramic. Base and track in painted metal. A very easy patented mechanism to pull out the lateral extensions allows the widening of the top in 31"1/2. Made in Italy.

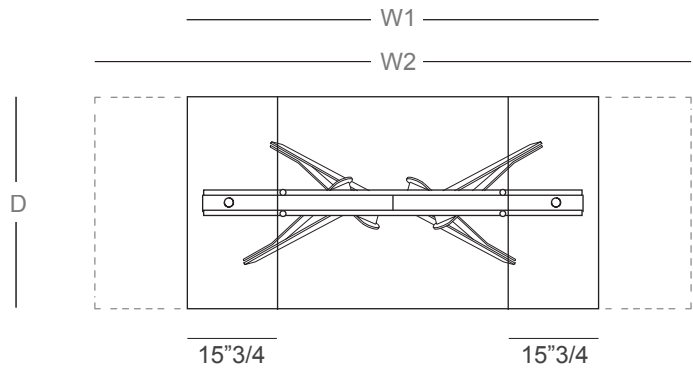
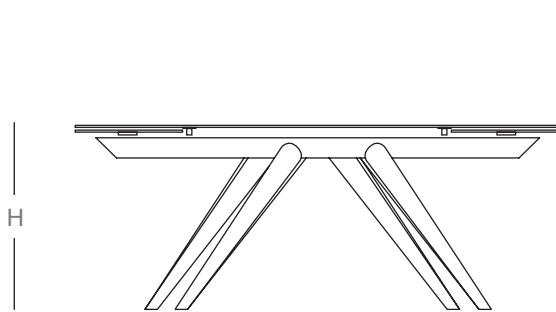


Somnia

Dimensions

	W1	W2	D	H
A:	70"7/8	102"3/8W	39"3/8D	29"1/2H
B:	78"3/4	110"1/4W	39"3/8D	29"1/2H
C:	86"5/8	118"1/8W	39"3/8D	29"1/2H

	W1	W2	D	H
D:	70"7/8	102"3/8W	43"1/4D	29"1/2H
E:	78"3/4	110"1/4W	43"1/4D	29"1/2H
F:	86"5/8	118"1/8W	43"1/4D	29"1/2H



Top shapes available:



Rectangular



Toroidal



Rounded