

Zeus

Design: Y. Hatano



Description

Extendable dining table, with top and extensions in glass or ceramic. Base and track in painted metal. A very easy patented mechanism to pull out the lateral extensions allows the widening of the top in 31"1/2. Made in Italy.

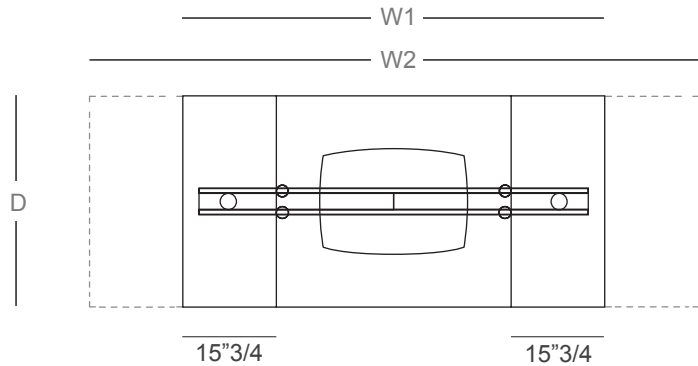
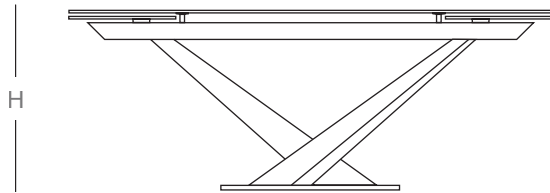


Zeus

Dimensions

W1 W2 D H
A: 70"7/8 - 102"3/8W x 39"3/8D x 29"1/2H
B: 78"3/4 - 110"1/4W x 39"3/8D x 29"1/2H

W1 W2 D H
C: 70"7/8 - 102"3/8W x 43"1/4D x 29"1/2H
D: 78"3/4 - 110"1/4W x 43"1/4D x 29"1/2H



Top shapes available:



Rectangular



Toroidal



Rounded