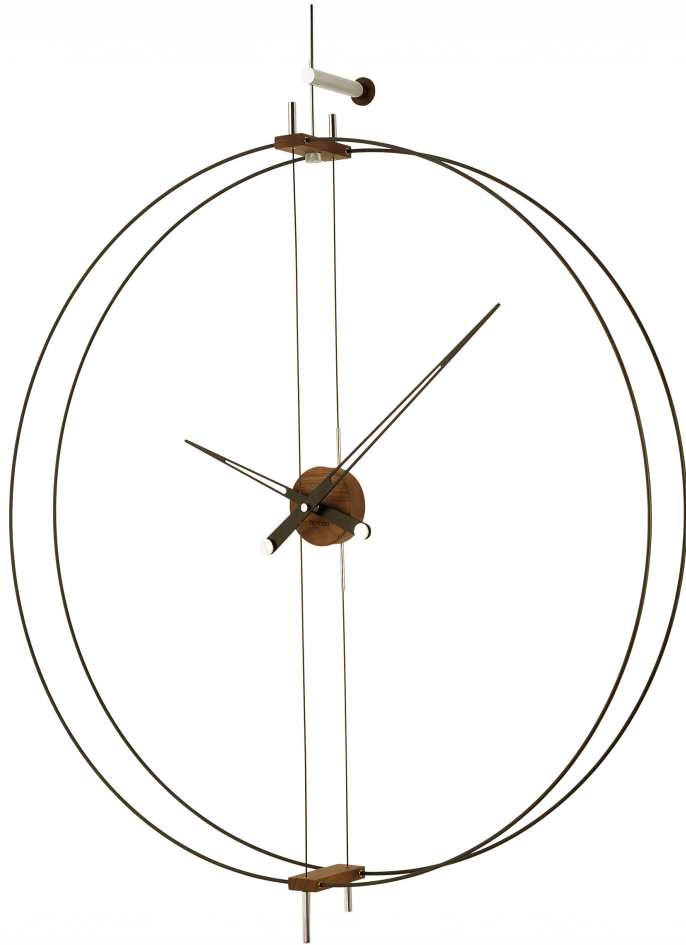


Barcelona



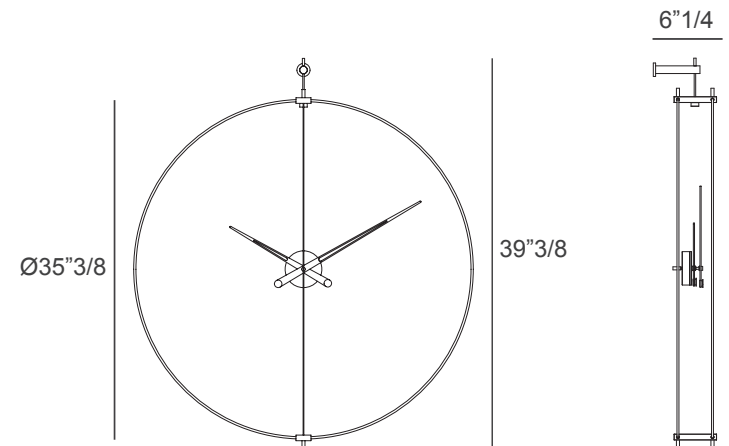
Description

The Barcelona clock is Nomon's enduring bestseller and one of the clearest expressions of the brand's design philosophy. Its distinctive double ring in black fiberglass frames a composition of walnut elements and metallic accents, creating a harmonious contrast between warmth and precision. This iconic wall clock has become a symbol of contemporary design, admired for its clean geometry, sculptural presence, and effortless elegance. Whether placed in a living room, office, or hospitality project, the Barcelona adds a refined architectural gesture to the wall, reinforcing its status as a timeless design classic and a centerpiece of the Rings Collection.

Mechanism: German UTS.

Dimensions

Ø35"3/8 x 39"3/8H x 6"1/4D



Finishes & Materials

Box: Walnut wood.

Hands: Black lacquered walnut wood.

Rings: Black fiberglass.

