

## Bilbao

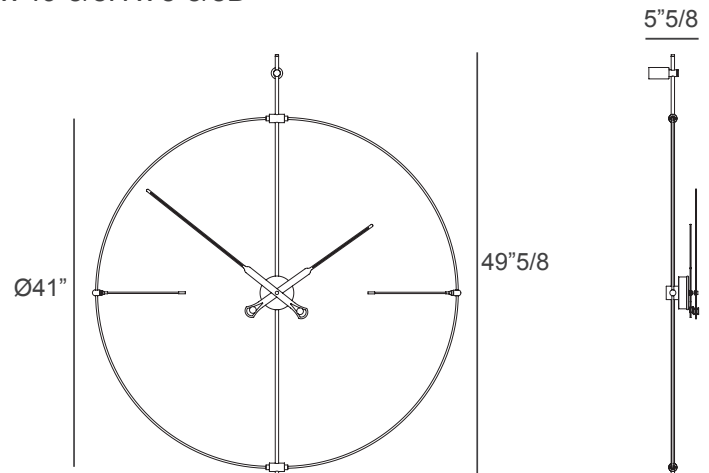
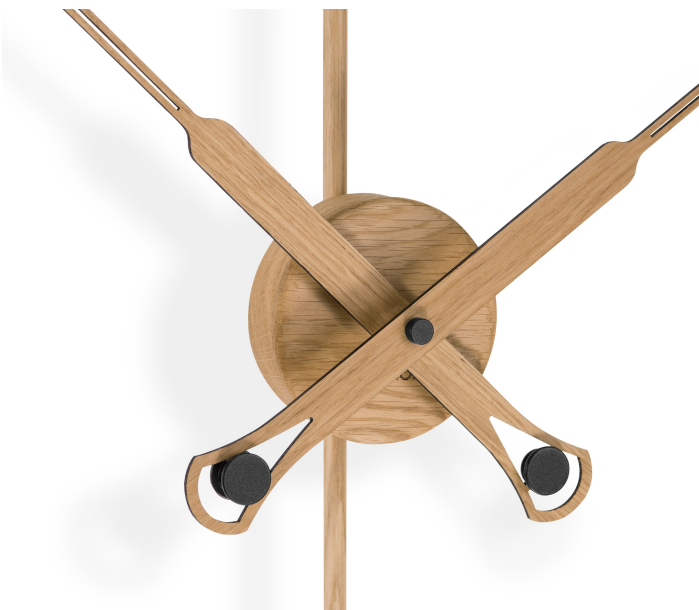
### *Description*

Bilbao Premium elevates one of Nomon's bestsellers into a more glamorous, sophisticated, and high-end version, designed to stand out in any type of room. Its elongated wooden hands sweep gracefully along the contour of the dial, creating an elegant visual rhythm that enhances the clock's sculptural presence. The highlight of this edition is the exquisite brass fiberglass ring, which infuses the piece with a warm metallic glow and unmistakable luxury appeal.

This premium reinterpretation introduces new combinations—such as black and oak fibers—offering fresh, contemporary aesthetics while preserving the essence of the original design. Belonging to the brand's new Premium Collection, the model elevates Nomon's most iconic pieces to a more chic, high-end, and design-forward level, where exclusivity, craftsmanship, and visual harmony remain at the core.

### *Dimensions*

Ø41" x 49"5/8H x 5"5/8D



### *Finishes & Materials*

**Box & Hands:** Walnut or oak wood.

**Hands Details:** Brass.

**Ring:** Fiberglass.