

Daro



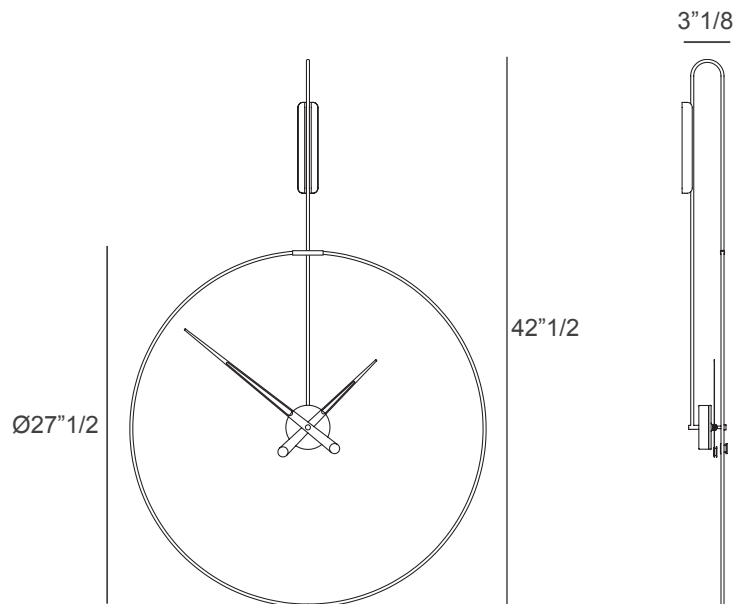
Description

Daro draws its inspiration from the world of fine jewelry, embracing graceful curves that emulate the silhouette of a suspended hoop earring. Its flowing, continuous form creates a sense of movement and effortless balance, making the piece instantly recognizable and deeply evocative. Over time, Daro has secured its place as a timeless classic, admired for its sculptural elegance and its ability to elevate any interior with subtle sophistication.

Its minimalist geometry blends seamlessly with modern and contemporary décor, while the delicate interplay between its curved elements and open negative space gives the design a light, floating presence. Crafted with meticulous attention to detail, Daro stands as a luxury, high-end designer object, embodying the perfect fusion of jewelry-inspired artistry and functional timekeeping.

Dimensions

Ø27"1/2 x 42"1/2H x 3"1/8D



Finishes & Materials

Box & Ring: Polished brass.

Hands: Walnut wood.