

Delmori

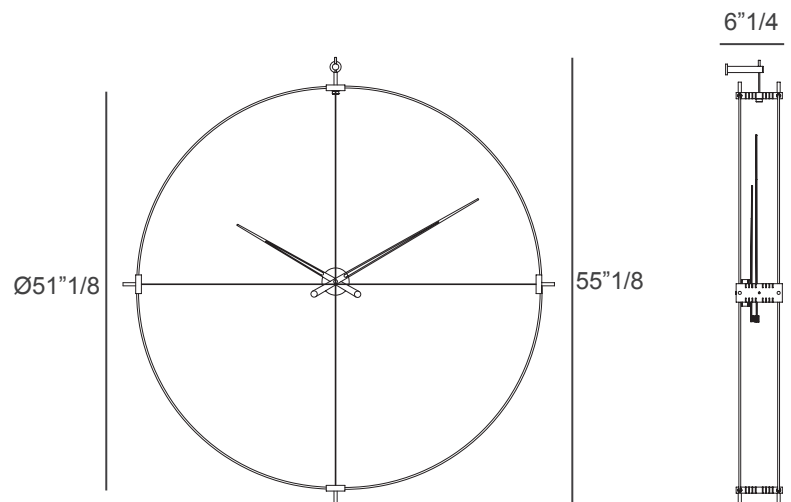
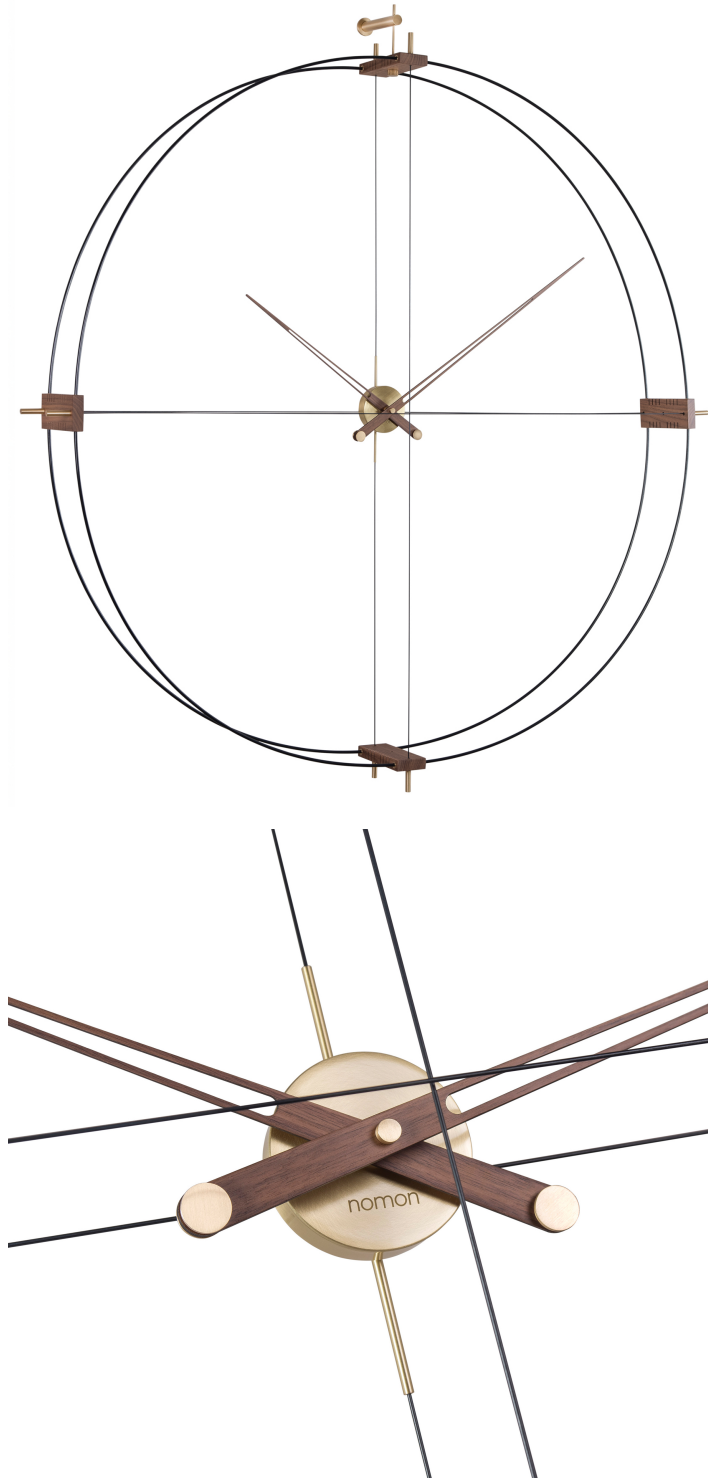
Description

Delmori stands as the largest and most commanding piece within the Rings Collection, conceived to redefine scale, lightness, and visual purity. Its design features a double fiberglass ring, engineered for rigidity yet astonishingly lightweight, allowing for versatile placement either on the ceiling or the wall. The refined metallic accents and natural walnut hands create a harmonious dialogue between cutting-edge materials and artisanal warmth.

As part of Nomon's celebrated Rings Collection, which includes icons such as Barcelona and Bilbao, Delmori embodies the brand's essence: minimalism with character, architectural refinement, and a distinctive presence that elevates any interior. Ideal for spacious environments seeking a statement piece that blends elegance, proportion, and contemporary sophistication.

Dimensions

Ø51"1/8 x 55"1/8H x 6"1/4D



Finishes & Materials

Box: Brass.

Hands: Walnut Wood.

Ring: Fiberglass.