

Dos Puntos



Description

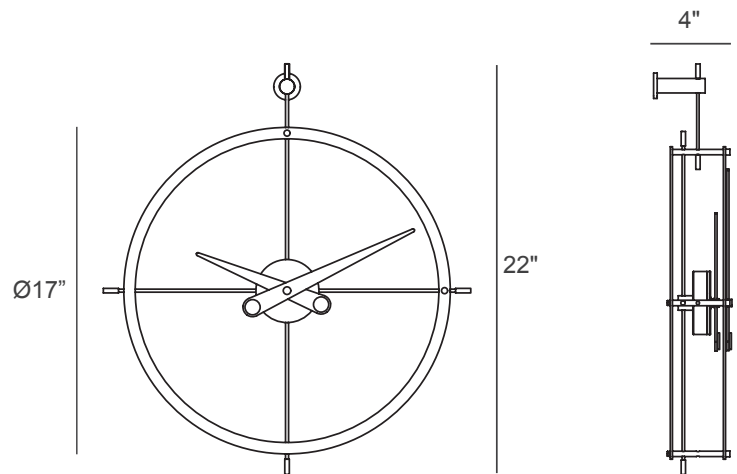
Watch with polished brass rings that, combined with natural walnut wood hands, exudes elegance and sophistication.

Part of the new Premium Collection, this design reinterprets one of Nomon's most iconic models, now elevated through superior materials and refined detailing. The perfect balance between brass and walnut highlights the craftsmanship and timeless aesthetic that define the brand. A statement piece of contemporary luxury, this wall clock transcends functionality to become a true object of design — elegant, sculptural, and enduring.

Mechanism: German UTS.

Dimensions

Ø17" x 22"H x 4"D



Finishes & Materials

Box & Rings: Polished brass.

Hands: Walnut wood.