

Dos Puntos



Description

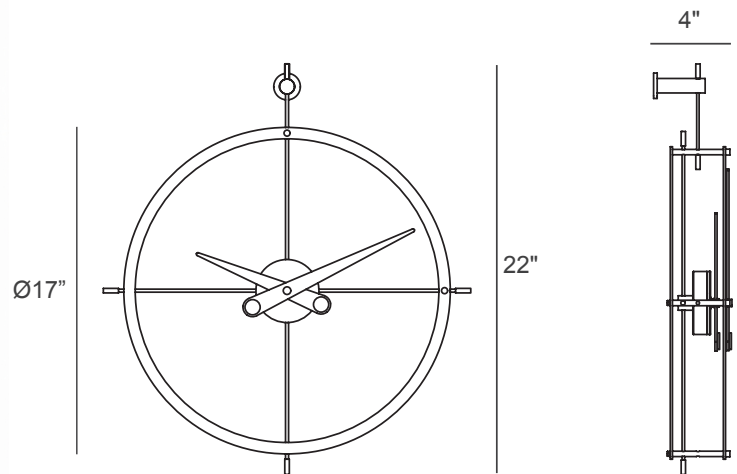
The design of its double ring, available in polished steel or natural wood, combined with minimalist hands, creates a light and ethereal composition.

Defined by purity of form and visual balance, this model reflects Nomon's signature approach to minimalist design — where precision, proportion, and simplicity coexist in harmony. Its clean silhouette and airy structure make it an ideal piece for modern interiors, adding a touch of elegance without excess. A versatile design icon that captures the essence of contemporary timekeeping through subtle sophistication.

Mechanism: German UTS.

Dimensions

Ø17" x 22"H x 4"D



Finishes & Materials

Box: Brass.

Rings & Hands: Stainless steel or walnut wood.