

Eslabón



Description

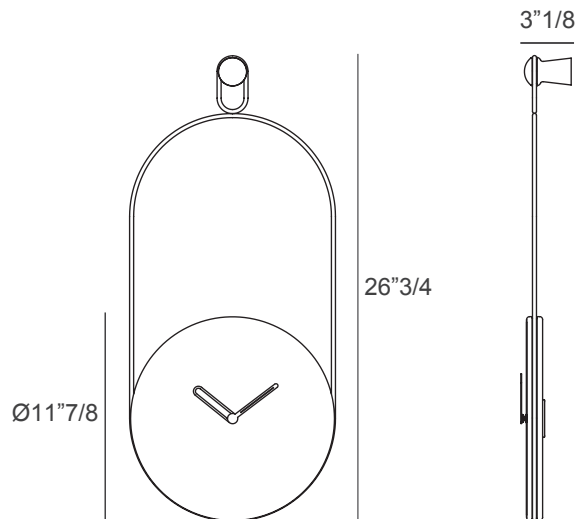
Conceived with the refinement of a fine jewelry pendant, this marble edition elevates the concept with a curved rod that delicately suspends a solid marble plate, creating a striking contrast between elegance and structural purity.

The natural veining of the marble gives each piece a unique, sculptural presence, adding a sense of permanence and architectural beauty that defines high-end design objects.

Awarded with the Silver Delta by ADI FAD, this version stands out for its ability to merge contemporary aesthetics with the timeless character of stone. Its polished surfaces, visual depth, and sophisticated weight make it a standout feature in luxury, modern, and chic interiors, offering a statement piece that reimagines the traditional pendulum clock with bold, designer personality.

Dimensions

Ø11"7/8 x 26"3/4H x 3"1/8D



Finishes & Materials

Plate: Marble.

Minute Hand: Solid walnut wood.

Hour Hand: Polished brass or black finish.

Ring: Metal in brass or black finish.

