

Micro Barcelona



Description

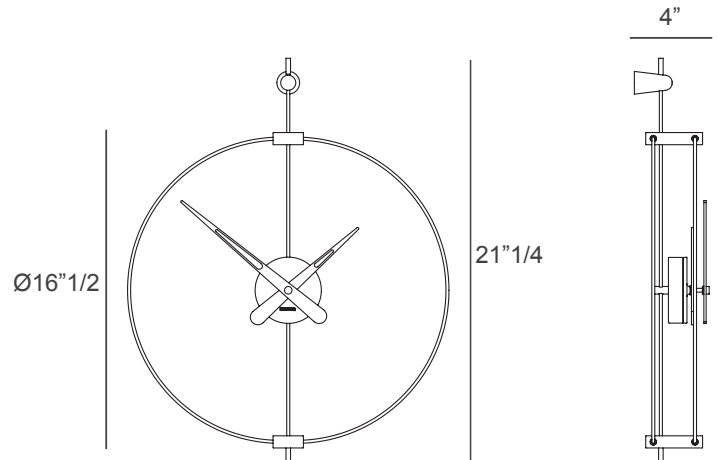
Micro Barcelona is the most delicate and charming interpretation of the celebrated Barcelona line—a compact, poetic timepiece designed to add subtle sophistication to even the smallest spaces. Its lightweight double ring in black fiberglass frames an elegant composition of walnut elements and fine metal details, creating a refined visual balance despite its diminutive scale.

As part of the Aros Collection, Micro Barcelona embodies Nomon's talent for transforming simple geometric forms into expressive design statements. Perfect for hallways, workspaces, bedside areas, or creative wall arrangements, this micro-sized clock delivers minimalist beauty with a distinguished and contemporary character.

Mechanism: German UTS.

Dimensions

Ø16"1/2 x 21"1/4H x 4"D



Finishes & Materials

Box: Graphite or polished brass.

Hands: Walnut wood.

Rings: Black fiberglass.