

## Mini Aire



### *Description*

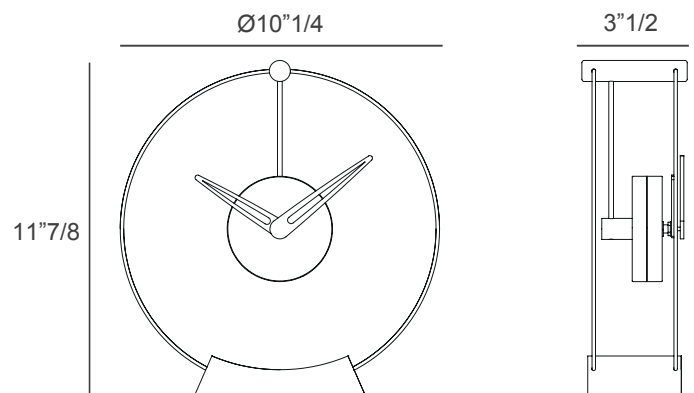
Mini Aire offers a more compact interpretation of the original Aire clock while retaining the sophistication and artistic essence that define the collection. This model features a double black fiberglass ring, paired with walnut components and delicate brass details, creating a striking interplay of contrasts and materials.

Its reduced scale makes it exceptionally versatile, perfect for styling smaller surfaces such as side tables, shelves, bedside stands, or workspaces that benefit from a refined decorative accent. Despite its size, Mini Aire maintains the sculptural presence and bold character of the larger model, embodying Nomon's dedication to creativity, minimalist craftsmanship, and contemporary elegance.

Part of an avant-garde family of timepieces, Mini Aire stands as a unique object for design enthusiasts who value expressive form, artisanal quality, and modern sophistication.

### *Dimensions*

Ø10"1/4 x 3"1/2D x 11"7/8H



### *Finishes & Materials*

**Box:** Brass.

**Hands:** Natural Walnut Wood

**Rings:** Fiberglass.