

Mini Barcelona



Description

The Mini Barcelona Premium enriches the beloved compact edition with a more exclusive and elevated interpretation. Its double fiberglass ring is finished in radiant polished brass, infusing the design with a glamorous, jewelry-like brilliance that enhances its sculptural geometry.

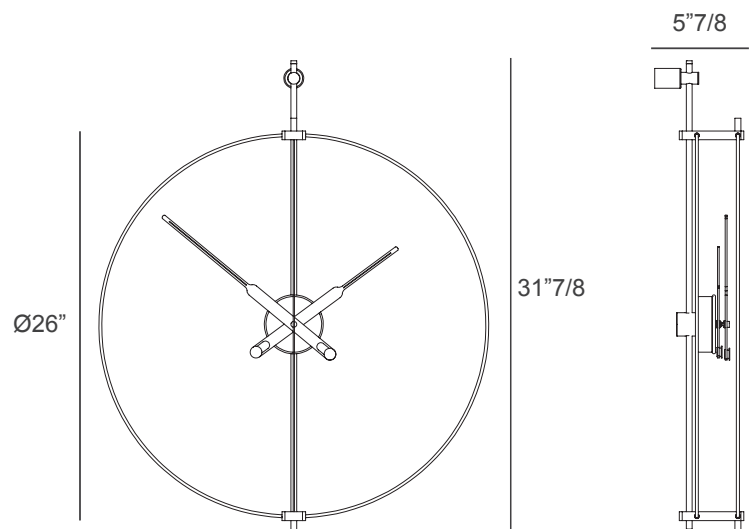
The model is also available in the refined pairing of black fibers with walnut, further expanding its decorative versatility.

As part of Nomon's Premium Collection, this edition transforms a small-format clock into a sophisticated design object where craftsmanship, noble materials, and contemporary elegance come together seamlessly.

Mechanism: German UTS.

Dimensions

Ø26" x 31"7/8H x 5"7/8D



Finishes & Materials

Box: Walnut wood.

Hands: Walnut wood and polished brass.

Rings: Black or brass fiberglass.