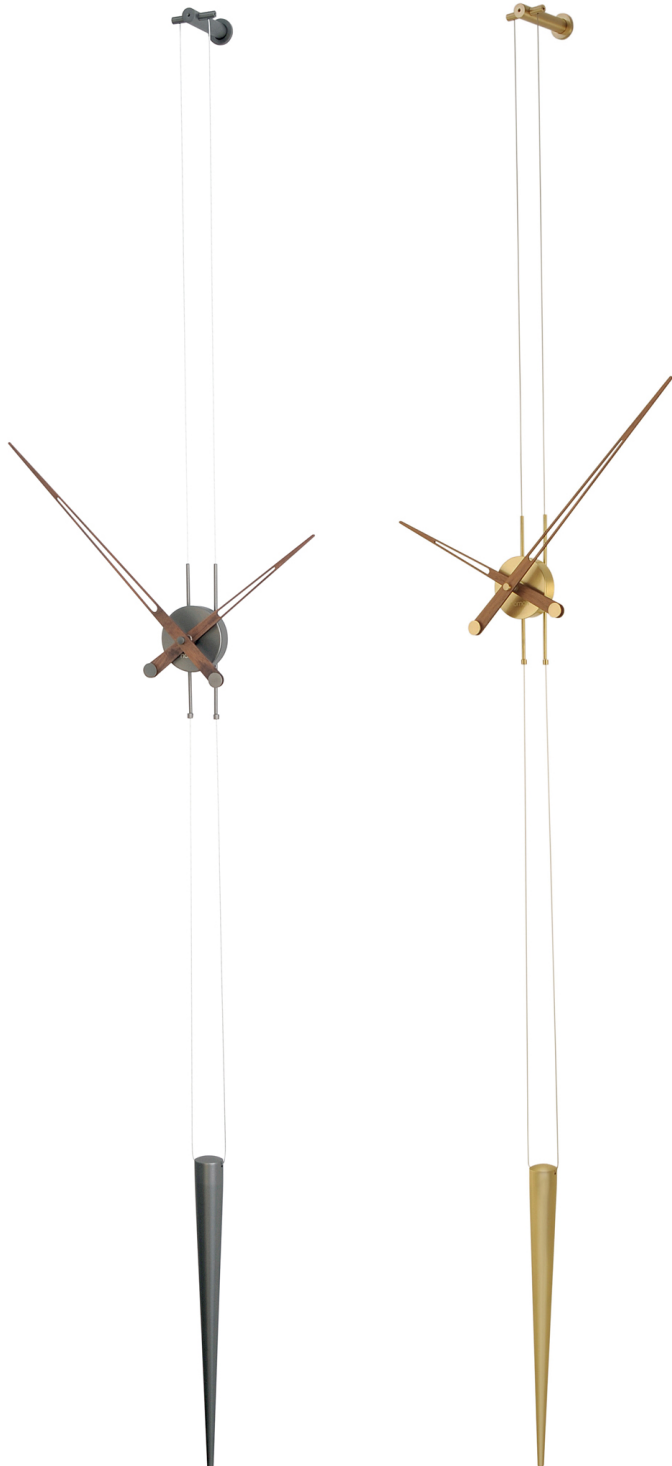


Pendolo

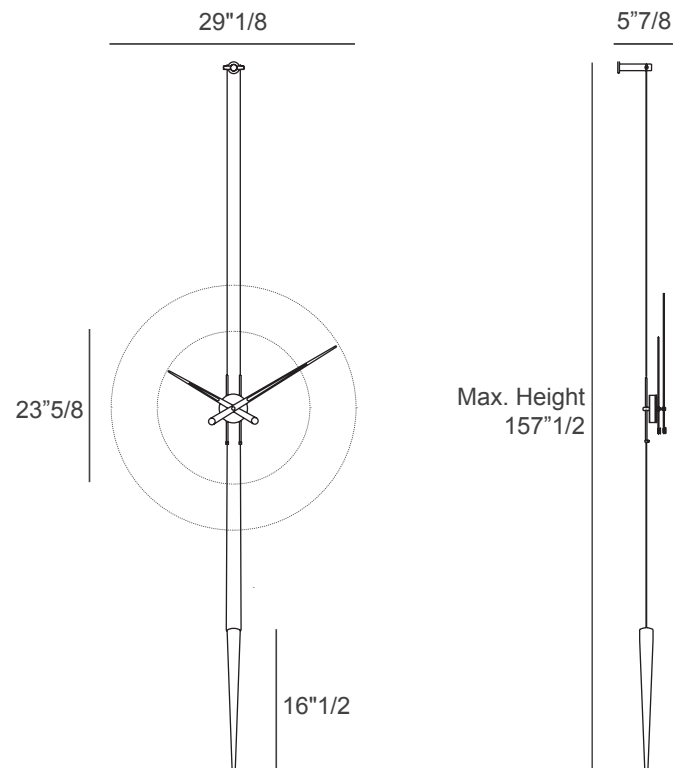


Description

The Pédulo model transforms the traditional pendulum clock into a piece of contemporary wall sculpture. Suspended from a sleek steel cable, the structure travels vertically along the wall and concludes in an oversized metal pendulum that adds rhythm and presence. This minimalist timepiece blends modern design, architectural elegance, and clean lines—perfect for interiors seeking a sculptural yet functional focal point.

Dimensions

29"1/8W x 157"1/2MaxH x 5"7/8D



Finishes & Materials

Box & Pendulum: Brass.

Hands: Stainless Steel or Solid Walnut Wood.