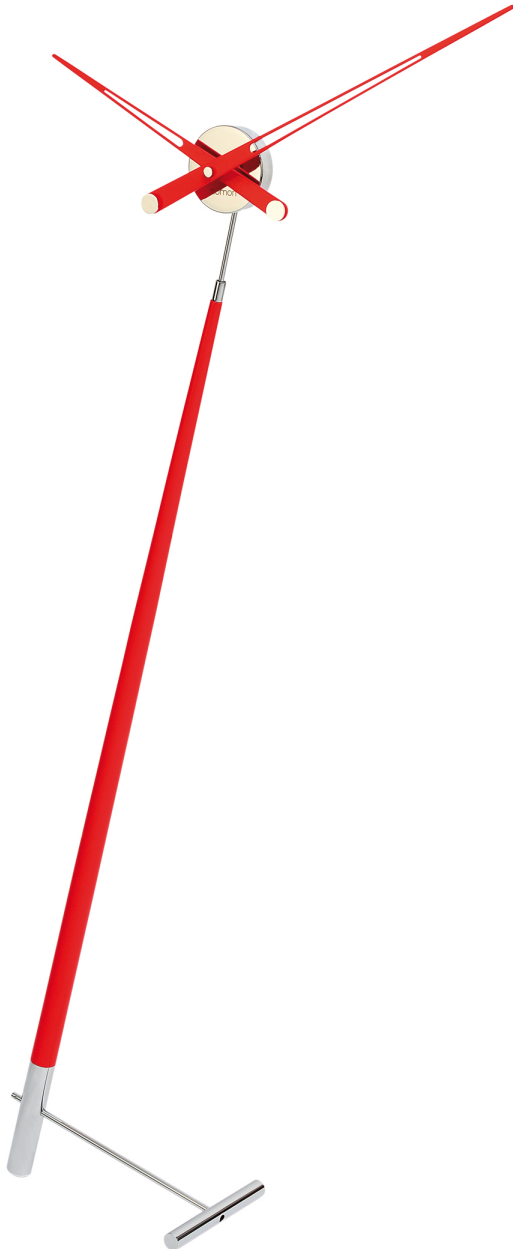


Pisa



Description

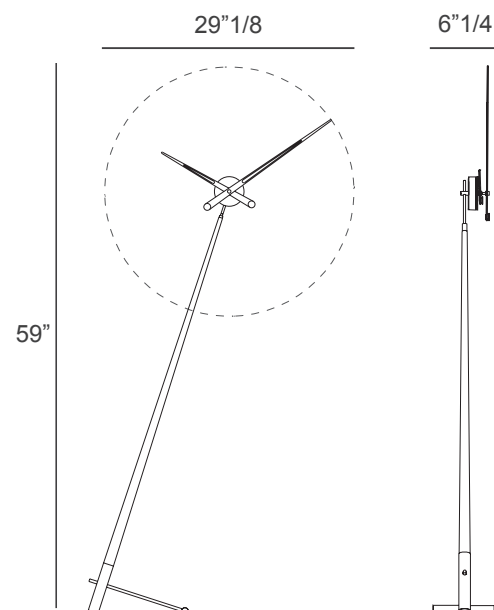
Rising gracefully from the floor, the Pisa clock is defined by its stylized solid wood body, a vertical form that leans in a subtle diagonal gesture, creating a dynamic silhouette reminiscent of architectural movement. This gentle tilt gives the piece an expressive sense of balance and presence, transforming it into a functional sculpture that enriches the atmosphere of any contemporary interior.

Each material has been carefully selected to highlight contrast, harmony, and craftsmanship, resulting in a clock that feels both modern and timeless.

Part of a collection known for its sculptural identity, avant-garde personality, and high aesthetic impact, Pisa is designed for those who appreciate distinctive design objects—pieces that elevate a room, spark curiosity, and bring sophistication to every corner.

Dimensions

29"1/8W x 6"1/4D x 59"H



Finishes & Materials

Box & Base: Brass.

Hands & Body: Walnut Solid Wood or Lacquered Walnut wood.