

Puntero

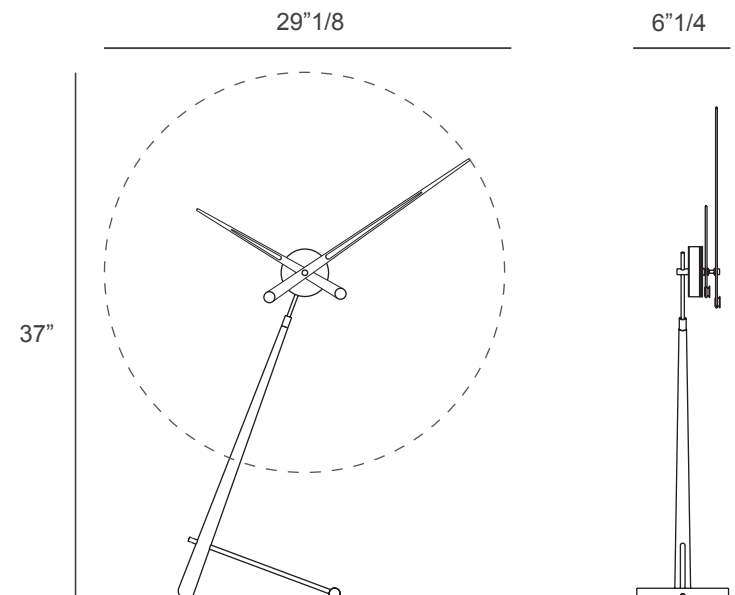


Description

Puntero is a model designed to captivate at first glance, distinguished by its strong visual presence and its harmonious interplay of materials. The entire composition is anchored on a precision-crafted metal base, supporting a solid natural wood body that adds warmth, weight, and architectural stability. This balance between metallic finesse and organic strength creates a piece that feels both grounded and elegantly elevated, transforming the clock into a true statement object. Belonging to a collection of sculptural and avant-garde timepieces, Puntero stands out for its expressive silhouette and bold character. Every line and proportion has been thoughtfully conceived, resulting in a clock that appeals to those who value innovation, craftsmanship, and artistic design. More than a timekeeper, it becomes an iconic decorative element—ideal for curated interiors, design-forward environments, and spaces where originality and personality are essential.

Dimensions

29"1/8W x 6"1/4D x 37"H



Finishes & Materials

Box & Base: Brass.

Hands & Body: Walnut Solid Wood or Lacquered Walnut wood.