

Punto y Coma



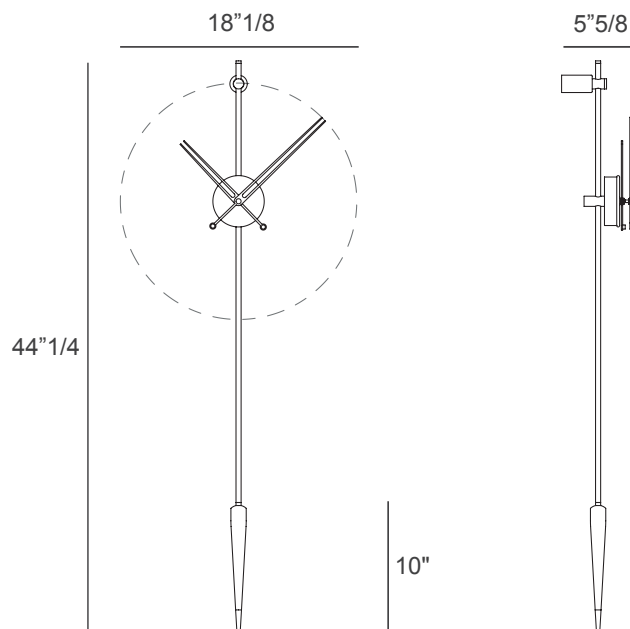
Description

Punto y Coma Premium elevates the original model to a new level of sophistication, enhancing its presence through the use of walnut wood and brass details that enrich the warmth, depth, and visual impact of the piece. This premium edition intensifies the model's sculptural essence, highlighting the interplay between noble materials and precise craftsmanship. Created for those who seek to introduce character into subtle, sober, or elegantly restrained environments, Punto y Coma Premium becomes an instant focal point—an object that exudes quiet luxury without excess.

As part of Nomon's new Premium Collection, the design revisits one of the brand's most iconic concepts, reimagining it with elevated finishes, richer textures, and greater expressive refinement. It is a timepiece that combines heritage, minimalism, and a heightened sense of exclusivity, offering collectors and design enthusiasts a work of contemporary artistry.

Dimensions

18"1/8W x 44"1/4H x 5"5/8D



Finishes & Materials

Box: Walnut or Oak Wood.

Hands & Pendulum: Walnut or Oak Wood.

Hands & Pendulum Details: Brass.