

Berry Table

Design: Carlo Ballabio



Description

The Berry Table, designed by Carlo Ballabio for Porada, blends artistic expression with expert craftsmanship. Its flowing, organically shaped marble top creates a sculptural, luxurious presence, while the dynamic leg design adds a sense of movement and harmony. Marble remains the focal point, defining the table's character and elegance. Available in three sizes to seat six to eight people, the Berry Table maintains a consistent design language across the collection. Made in Italy.

Finishes & Materials

Top: Marble

Legs: Wood

Feet: Metal

Yves Sofa

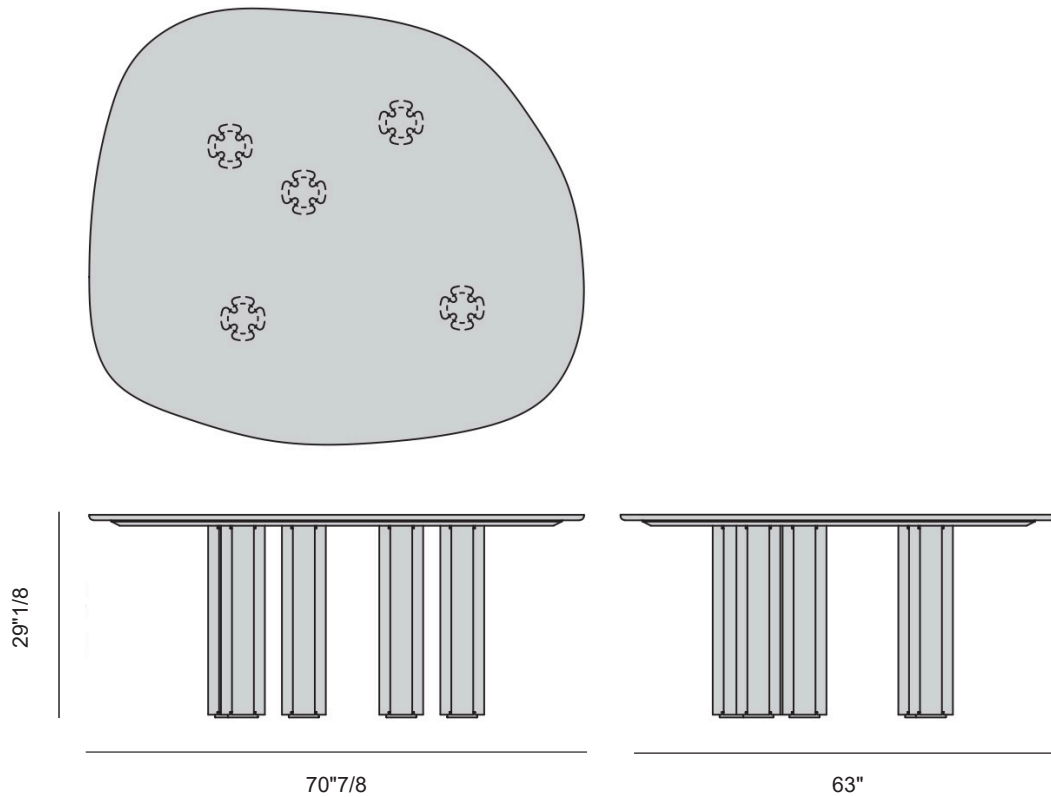
Dimensions

Size A: 70"7/8W x 63"D x 29"1/8H

Size B: 90"1/2W x 47"1/4D x 29"1/8H

Size C: 114"1/8W x 51"1/8D x 29"1/8H

Size A



Yves Sofa

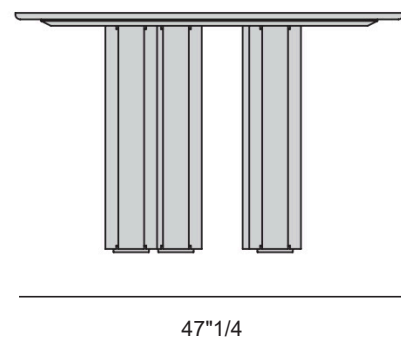
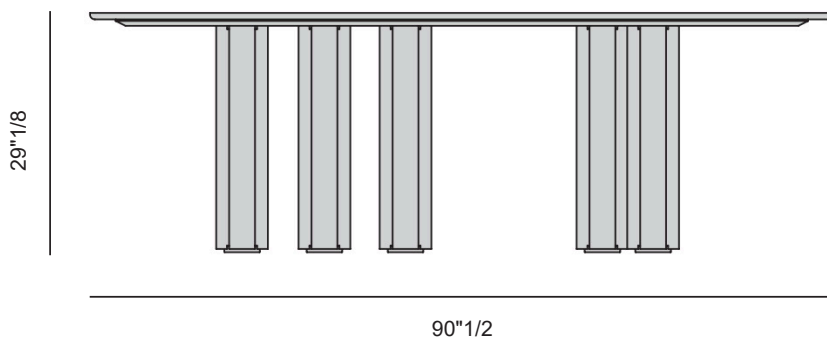
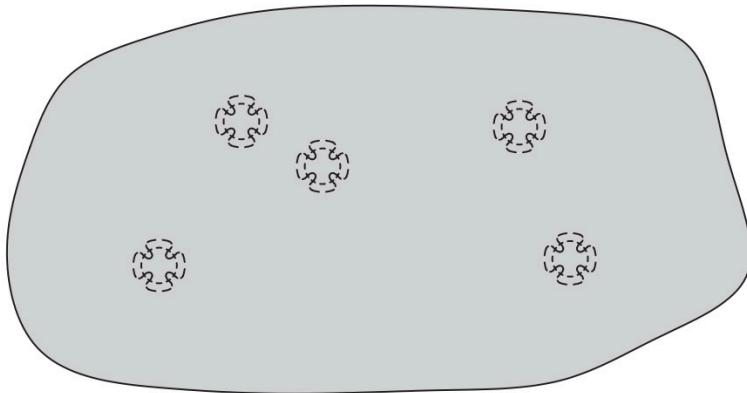
Dimensions

Size A: 70"7/8W x 63"D x 29"1/8H

Size B: 90"1/2W x 47"1/4D x 29"1/8H

Size C: 114"1/8W x 51"1/8D x 29"1/8H

Size B



Yves Sofa

Dimensions

Size A: 70"7/8W x 63"D x 29"1/8H

Size B: 90"1/2W x 47"1/4D x 29"1/8H

Size C: 114"1/8W x 51"1/8D x 29"1/8H

Size C

