

## Jelly

*Design: Carlo Ballabio*



### *Description*

Inspired by the craftsmanship of Murano and shaped by a refined balance of materials, Jelly is a modern side table offered in both oval and round versions. Its structure is anchored by a solid wooden cylinder in canaletto walnut, presented in natural, moka, or wenge stained finishes, a signature material seen across the work of Porada. A three leg base in black chromed metal or brushed brass reflects the tone of the central wooden element, giving the table a cohesive and sculptural character.

Both models feature a cast glass top available in clear, smoked, or a vivid green glass that introduces a brighter contemporary touch. The collection also includes marble tops in grey Carnic or white Carrara, designed with a lowered surface that enhances the refined details of each shape. Made in Italy.

## Jelly

---

### Dimensions

**H40 - MARBLE TOP:** 19"5/8W x 15"D x 16"H

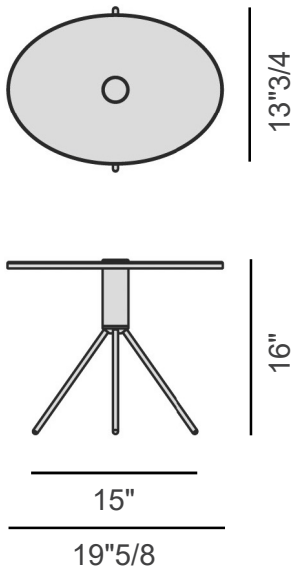
**H55 - MARBLE TOP:** 19"5/8W x 15"D x 21"7/8H

**H40 - GLASS TOP:** 19"5/8W x 15"D x 15"3/4H

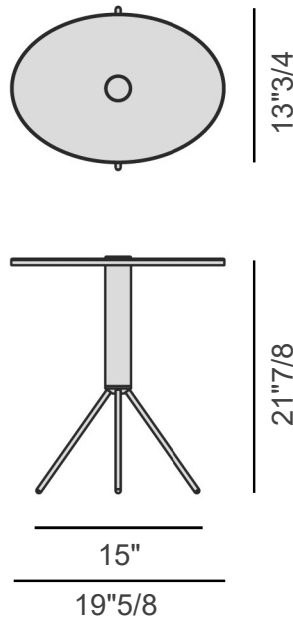
**H55 - GLASS TOP:** 19"5/8W x 15"D x 21"5/8H

\*Glass Thickness: 5/8 inch

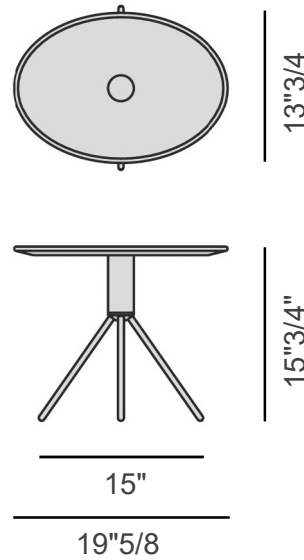
H40 - MARBLE TOP



H55 - MARBLE TOP



H40 - GLASS TOP



H55 - GLASS TOP

