

Klem Sofa

Design: Giuseppe Viganò



Description

The Klem two seater sofa is designed to offer flexibility and refined comfort within a compact footprint. Its structure is crafted from solid canaletto walnut, which gives the piece a strong visual identity and frames the upholstered elements with a warm, architectural presence. The internal frame is built from multilayer wood, solid fir, poplar, and elastic straps that ensure balanced support and daily comfort. The padding is made of polyurethane foam in differentiated densities, while the seat and back cushions are filled with microflock wadding made from 100 percent recycled polyester, reinforcing a commitment to innovative and responsible materials. The foam inserts enhance softness and maintain long lasting comfort. In the fabric version, the upholstery is completely removable, making maintenance and cleaning straightforward. Made in Italy.

Finishes & Materials

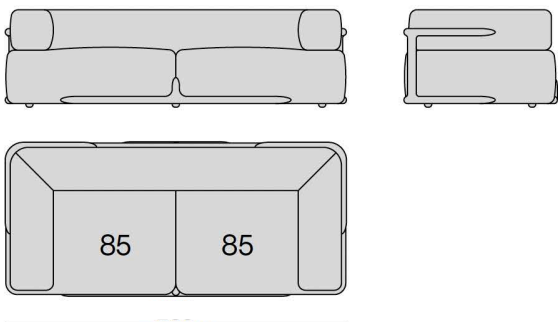
Cover: Leather Lux / Leather Plus / Fabric

Frame: Canaletto walnut

Klem Sofa

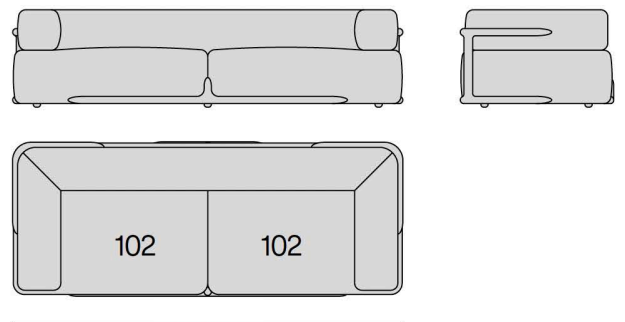
Design: Giuseppe Viganò

KLEM 236 - SIZE A



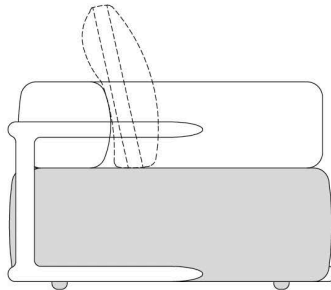
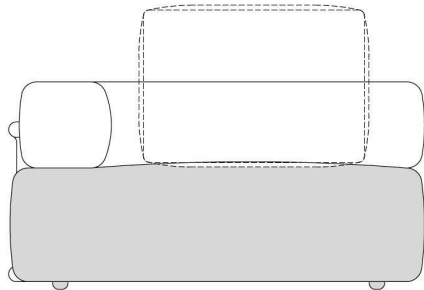
93"

KLEM 270 - SIZE B



106"1/4

15"3/4



41"3/8

Dimensions

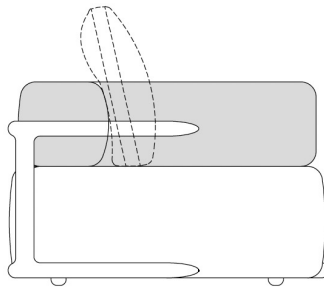
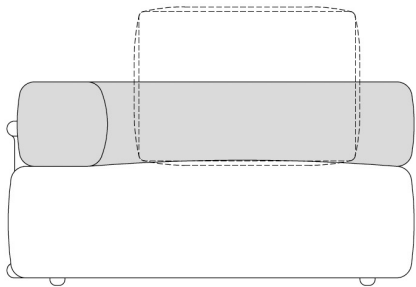
SIZE A: 93"W x 41"3/8D

(SH: 15"3/4, AH: 26"3/4)

SIZE B: 106"1/4W x 41"3/8D

(SH: 15"3/4, AH: 26"3/4)

26"3/4



Optional back cushions:

A: 21"5/8W x 7"7/8D x 21"5/8H

B: 29"1/2W x 7"7/8D x 21"5/8H

C: 21"5/8W X 7"7/8D X 25"5/8H