

Sansiro Round Table

Design: Meneghello Paoletti

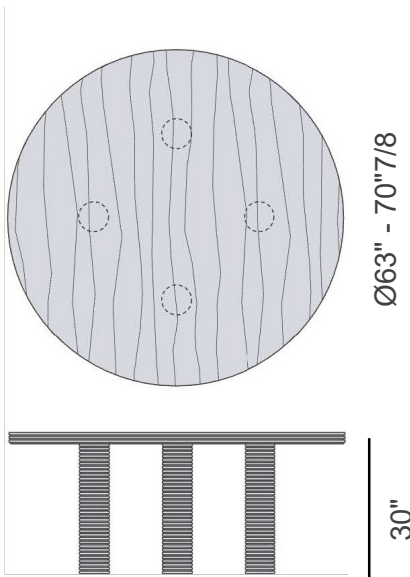


Description

Sansiro is a dining table with a frame crafted from solid canaletto walnut and a top available in round form, offered in wood or marble. The legs are designed as a defining architectural feature, built through a sequence of solid and open segments that give the table a three dimensional rhythm. This pattern of full and empty spaces creates a sense of suspension while guiding the eye upward toward the surface. Sansiro is conceived as a versatile piece that can adapt to a wide range of interiors. It can be configured with a wooden top for a unified expression or with a marble top for a refined contrast, allowing the table to suit different aesthetic and functional needs. Both versions feature turned legs formed from four solid wooden blocks, with visible joints that highlight the craftsmanship and construction of the piece. Made in Italy.

Sansiro Round Table

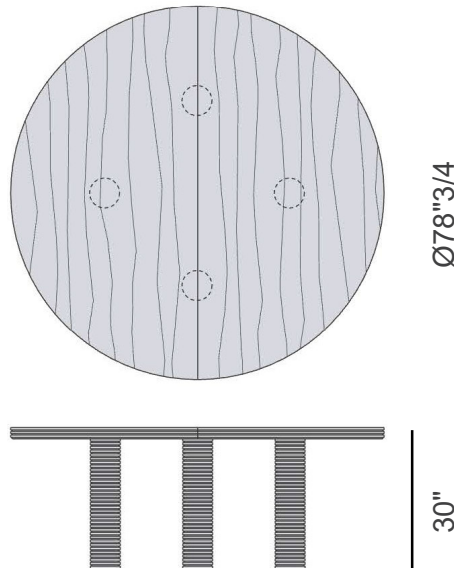
Design: Meneghello Paoletti



Ø63" - 70"7/8

30"

WOODEN TOP

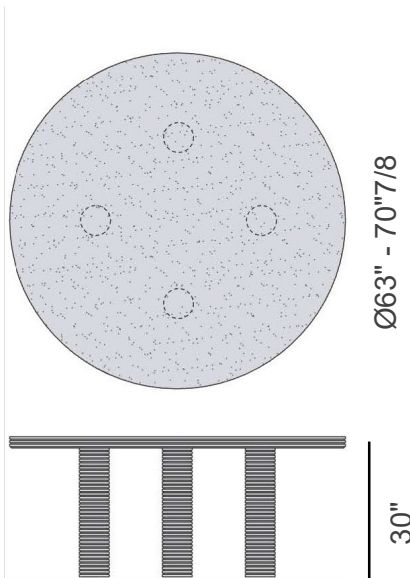


Ø78"3/4

30"

Dimensions

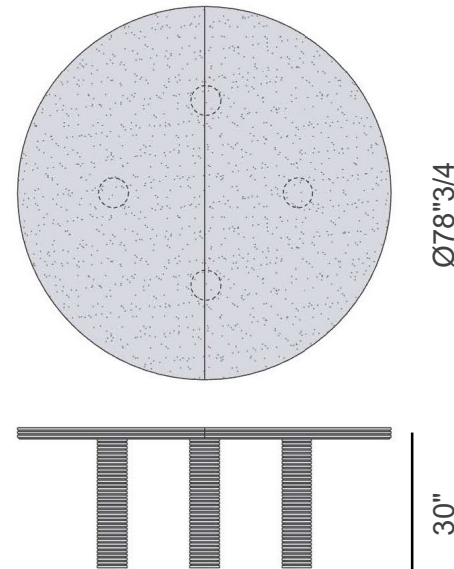
SIZE A: Ø63" x 30"H
SIZE B: Ø70"7/8 x 30"H
SIZE C: Ø78"3/4 x 30"H



Ø63" - 70"7/8

30"

MARBLE TOP



Ø78"3/4

30"

Finishes & Materials

Top: Wood / Marble
Base: Wood