

Kerwan

Design: Alessandro La Spada



Description

Kerwan is a fusion of unexpected geometries. The table's uniqueness lies in the curvature of its marble legs, shaped from a slab rather than a block, minimizing material waste. The steel and stone of the base blend seamlessly, creating an optical fusion.

Finishes & Materials

Top & sides: Marble.
Undertop: Lacquered.
Base: Metal.

Kerwan

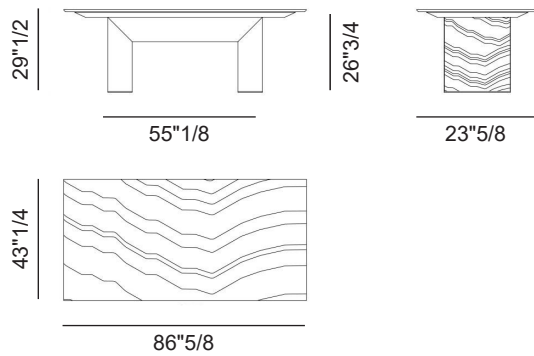
Dimensions

Size A: 86"5/8W x 43"1/4D x 29"1/2H

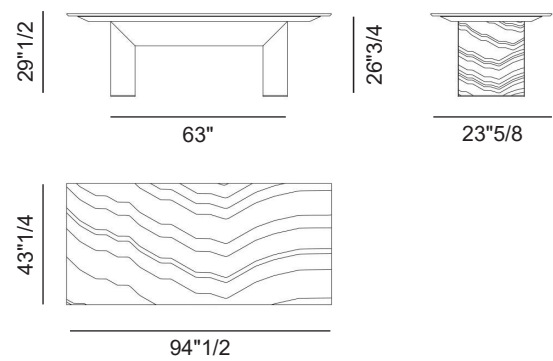
Size B: 94"1/2W x 43"1/4D x 29"1/2H

Size C: 106"1/4W x 43"1/4D x 29"1/2H

Size A



Size B



Size C

