

Loving F.

Design: Mauro Lipparini



Description

Lounge Chair with a generous, sculpted volume, featuring a wooden structure and layered padding in polyurethane and memory foam. Seat, backrest, and armrests are segmented into bands upholstered in leather or fabric, joined by detailed topstitching. Ergonomic goose down cushions provide soft, balanced support. An optional magnetic headrest completes the design.

Finishes & Materials

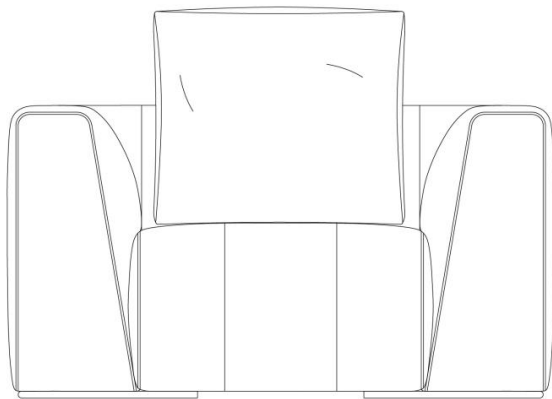
Cover: Fabric or leather.

Feet: Metal.

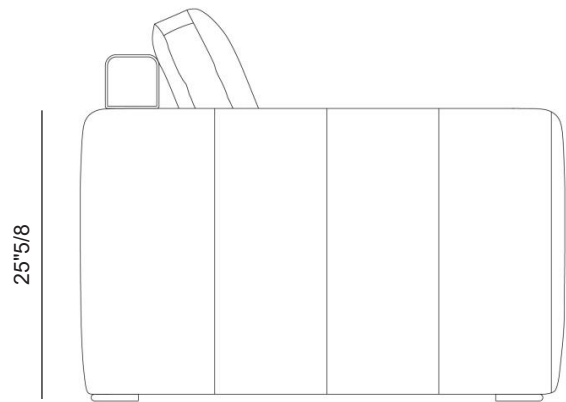
Loving F.

Dimensions

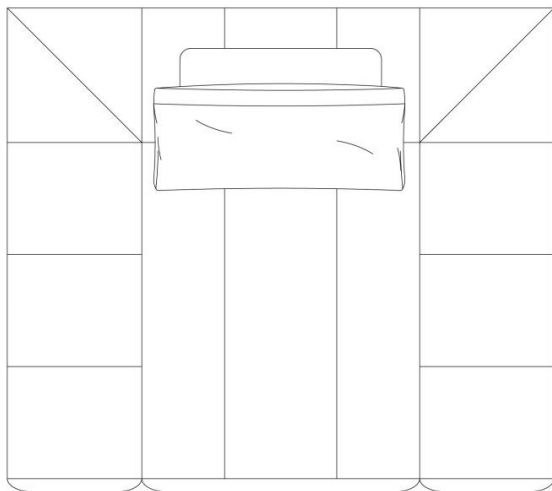
48"W x 42"1/2D x 25"5/8H



48"



42"1/2



24"3/8