

# Polaris

*Design: Alessandro La Spada*



## *Description*

Chandelier with curved aluminum elements, glossy on the outside and satin-finished inside, paired with backlit marble diffusers cut along continuous veins and finished with a raw split edge. Available as a single or double ring, or with a fixed stem, and suspended by adjustable steel cables. COB LED light filters through the stone, enhancing textures, geometries, and material rhythm.

## *Finishes & Materials*

**Structure & Canopy:** Metal.

**Shade:** Marble.

## Polaris

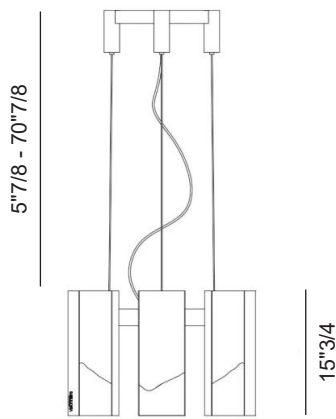
### Dimensions

**Size A:** Ø23"5/8 x 15"3/4H(+ Cable Length)

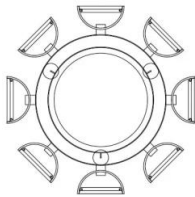
**Size B:** Ø39" x 15"3/4H(+ Cable Length)

**Size C:** Ø39" x 31"1/2H(+ Cable Length)

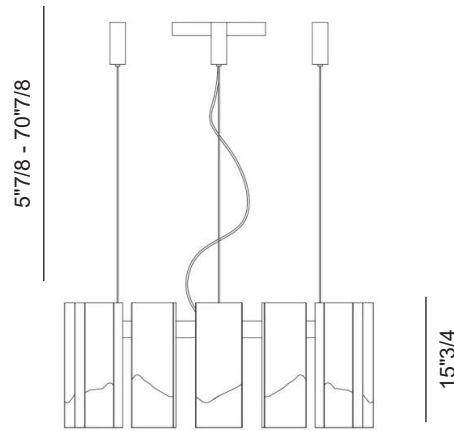
**Size A**



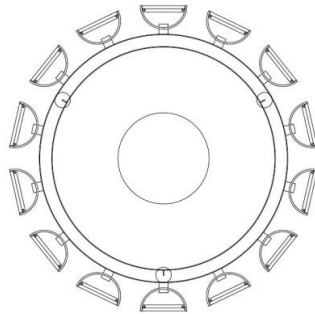
Ø23"5/8



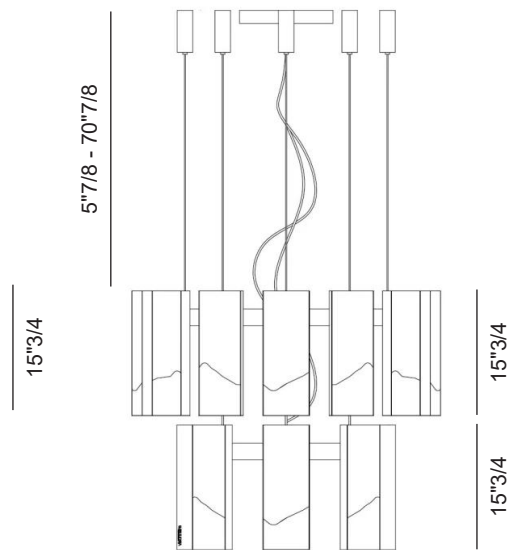
**Size B**



Ø39"



**Size C**



Ø39"

