

# Polaris

*Design: Alessandro La Spada*



## *Description*

The Polaris wall lamp with contoured aluminum frame, glossy on the outside and satin-finished inside, embracing a backlit marble diffuser. The rough-cut edge highlights the contrast between light and raw material. The effect is enhanced by the textured relief of the stone surface. Available in two sizes and selected metal finishes.

## *Finishes & Materials*

**Structure:** Metal.

**Shade:** Marble.

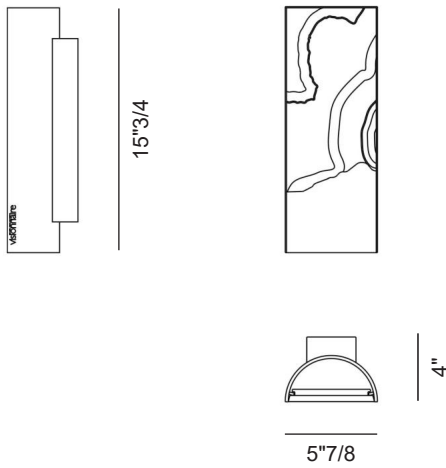
## Polaris

### Dimensions

Size A: 5"7/8W x 4"D x 15"3/4H

Size B: 5"7/8W x 4"D x 35"3/8H

Size A



Size B

