

Sputnik Oxy

Design: Draga & Aurel



Description

Chandelier composed of ten tubular steel rods, each ending in a rhomboidal shade housing a decagonal diffuser made of metal and artisanal cast glass. LED sources are arranged around the perimeter, producing a faceted, diffused light. Designed for ceiling or suspended installation via chain. Metal components available in selected satin finishes.

Finishes & Materials

Structure: Metal.

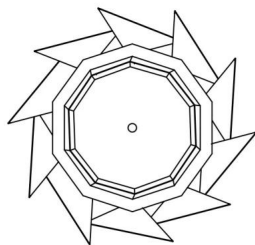
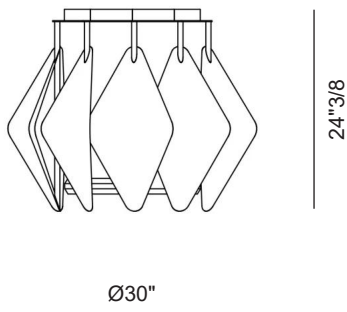
Sputnik Oxy

Dimensions

Size A: Ø30" X 24"3/8H

Size B: Ø30" X 50"3/8H

Size A



Size B

