

## Piuma

Design: Lanzavecchia + Wai

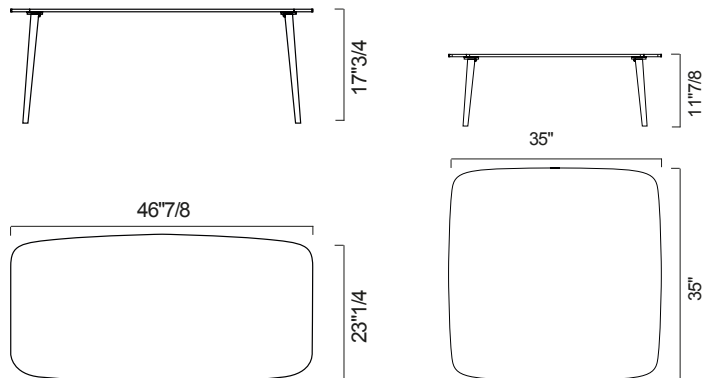


### Description

The Piuma Coffee Table is built for high-performance durability in exterior contexts. It features a robust yet lightweight powder-coated aluminum frame, engineered to withstand prolonged use and exposure to outdoor environments. This material choice ensures resistance to corrosion and UV rays while maintaining a minimal, soft aesthetic. Its modular design allows it to be seamlessly integrated into multiple compositions, serving as a functional surface that complements the soft volumes of the Piuma seating system. Proudly Made in Italy.

### Dimensions

**Rectangular:** 46"7/8W x 23"1/4D x 17"3/4H  
**Square:** 35"W x 35"D x 11"7/8H



### Finishes and materials

**Structure:** Aluminum. Powder coated.  
**Top:** Stoneware.