

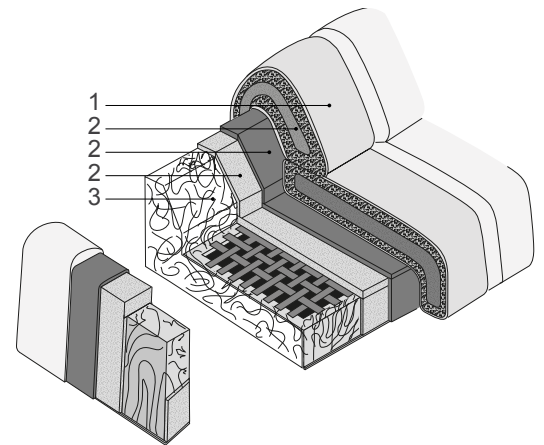
Bagutta

Design: Marconato & Zappa



Description

Bagutta is a unique system of upholstered modules with which it is possible to create a multiplicity of combinations, inventing original games of volumes, following a rhythm of solids and voids. The supporting structure is made of solid fir wood or plywood. Flexibility is guaranteed by 3"1/2 (90 mm) wide woven elastic belts. The padding, both of the seat and of the back cushion is in triple density polyurethane whose flexibility is also due to the woven elastic support straps. Bagutta sofa is built to last thanks to its bearing structure and the removable cover (in the case of fabric covering). Ideal for reception spaces in both residential and contract settings. Its enveloping line, like an embrace, is created from ergonomic shapes to give maximum comfort. Decorative cushions available on demand. Made in Italy.



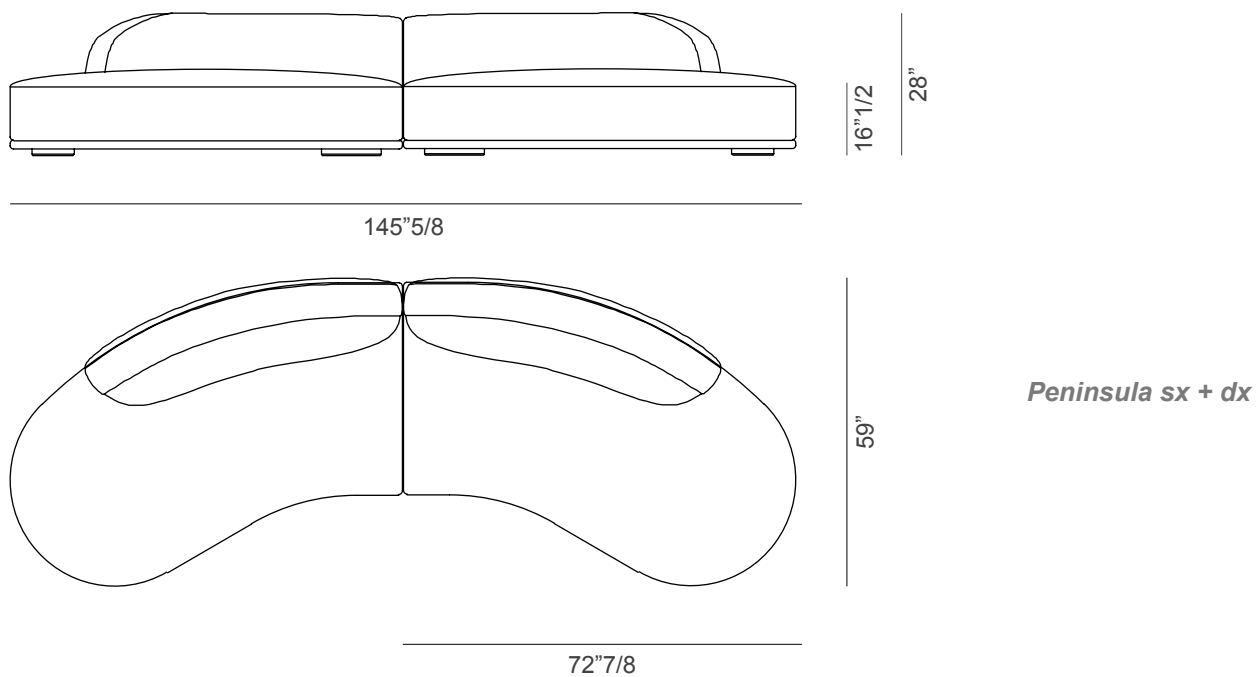
- 1 Completely removable cover
- 2 Padding with differentiated density
- 3 Fir wood and multi - ply panels

Bagutta

Suggested compositions

Composition 1

145"5/8W x 59"D x 28"H

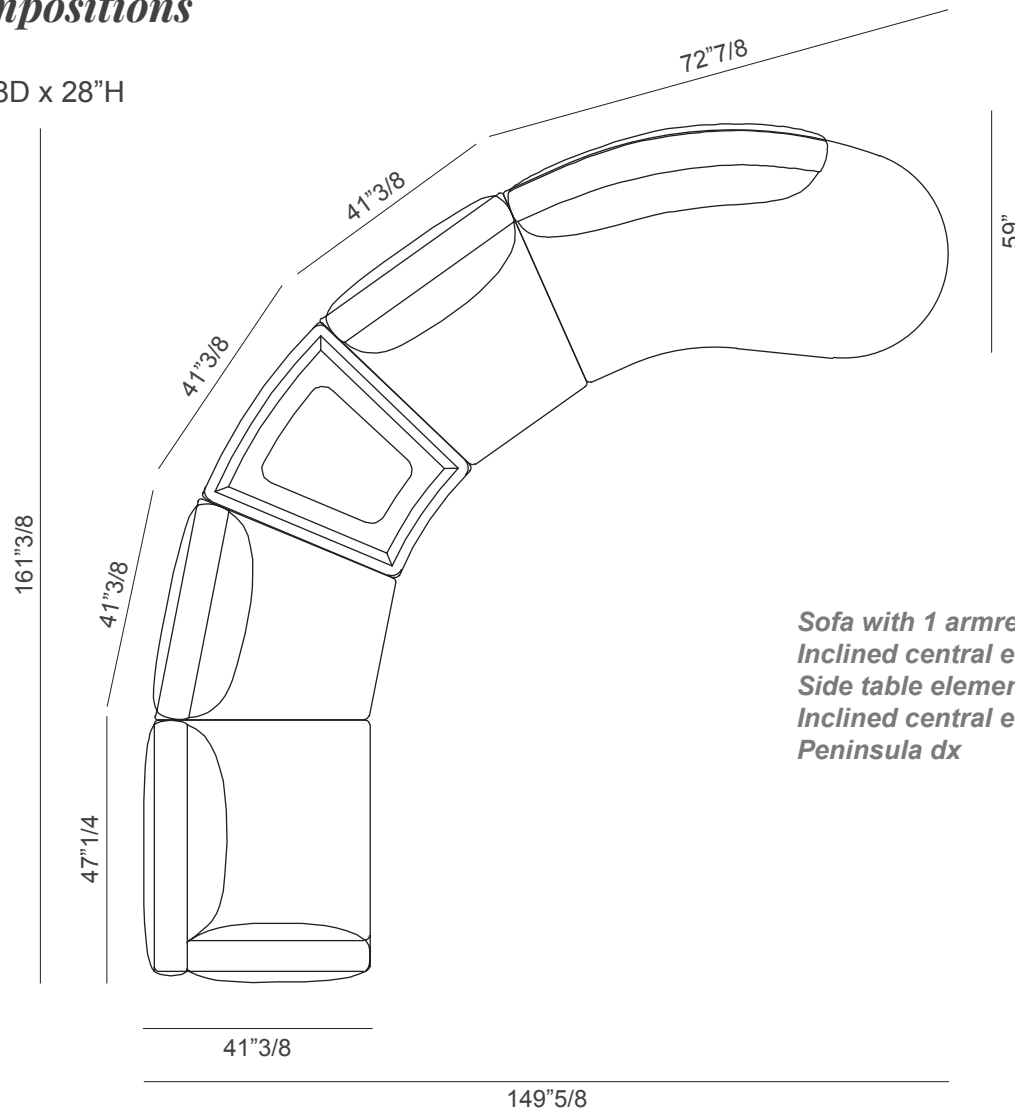


Bagutta

Suggested compositions

Composition 2

149"5/8W x 161"3/8D x 28"H



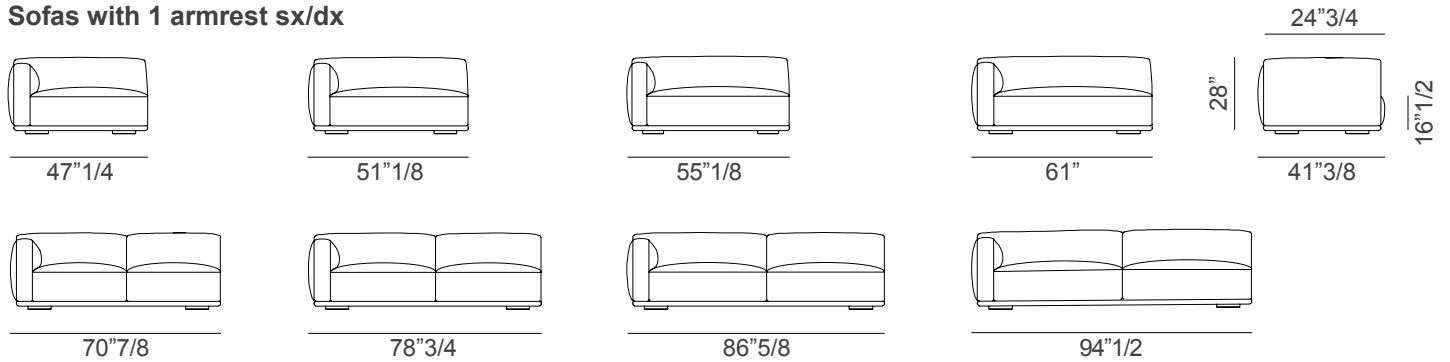
*Sofa with 1 armrest sx +
Inclined central element +
Side table element +
Inclined central element +
Peninsula dx*



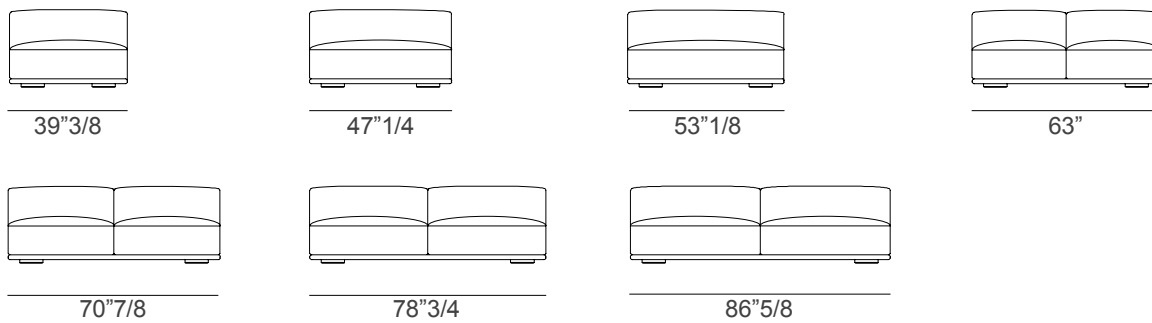
Bagutta

Modules available

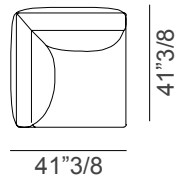
Sofas with 1 armrest sx/dx



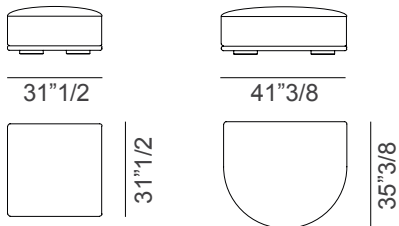
Central element for sofa



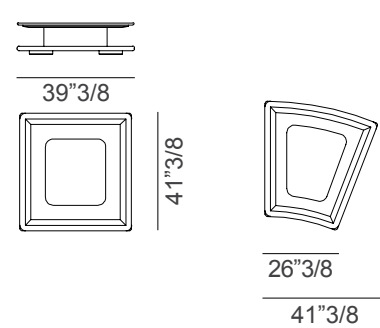
Right corner



Ottoman



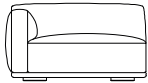
Side table element



Bagutta

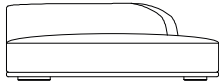
Modules available

Chaise lounge sx/dx



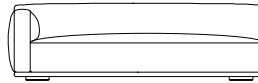
47"1/4

Peninsula sx/dx

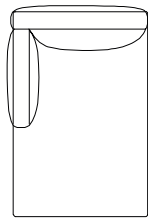


72"7/8

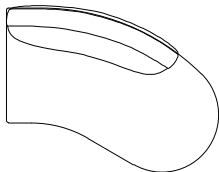
Bench element



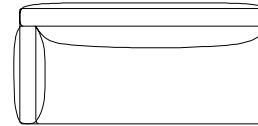
86"5/8



70"7/8



59"



41"3/8

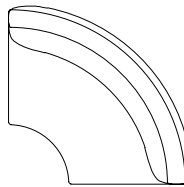
Inclined central element



27"1/2

41"3/8

Round central element



60"5/8

60"5/8

Decorative cushion



21"5/8

21"5/8