

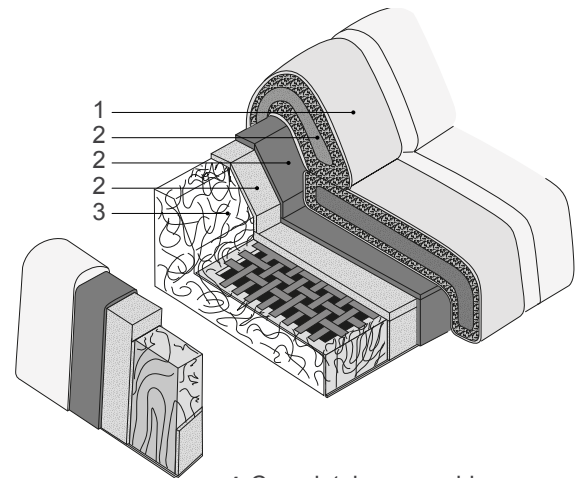
Bagutta

Design: Marconato & Zappa



Description

Bagutta sofa is characterized by comfort. The supporting structure is made of solid fir wood or plywood. Flexibility is guaranteed by 3"1/2 (90 mm) wide woven elastic belts. The padding, both of the seat and of the back cushion is in triple density polyurethane whose flexibility is also due to the woven elastic support straps. Bagutta sofa is built to last thanks to its bearing structure and the removable cover (in the case of fabric covering). Ideal for reception spaces in both residential and contract settings. Its enveloping line, like an embrace, is created from ergonomic shapes to give maximum comfort. Decorative cushions available on demand. Made in Italy.



- 1 Completely removable cover
- 2 Padding with differentiated density
- 3 Fir wood and multi - ply panels

Bagutta

Dimensions

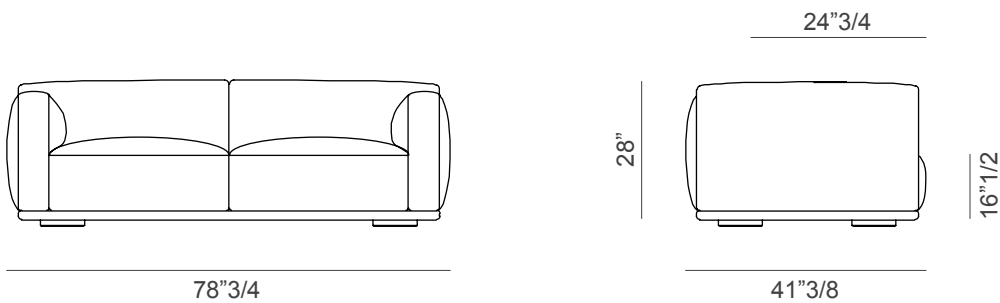
A: 78"3/4W x 41"3/8D x 28"H

B: 86"5/8W x 41"3/8D x 28"H

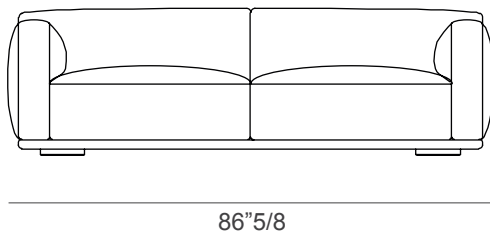
C: 94"1/2W x 41"3/8D x 28"H

D: 102"3/8W x 41"3/8D x 28"H

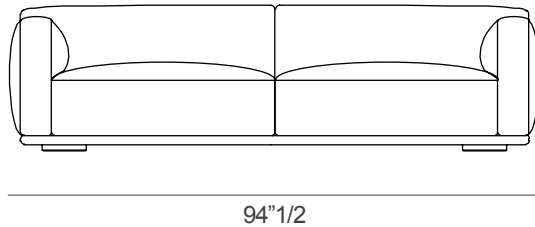
A



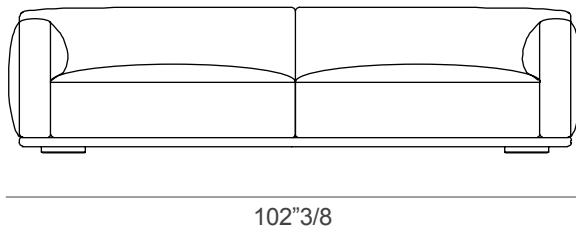
B



C



D



Decorative cushion:

