

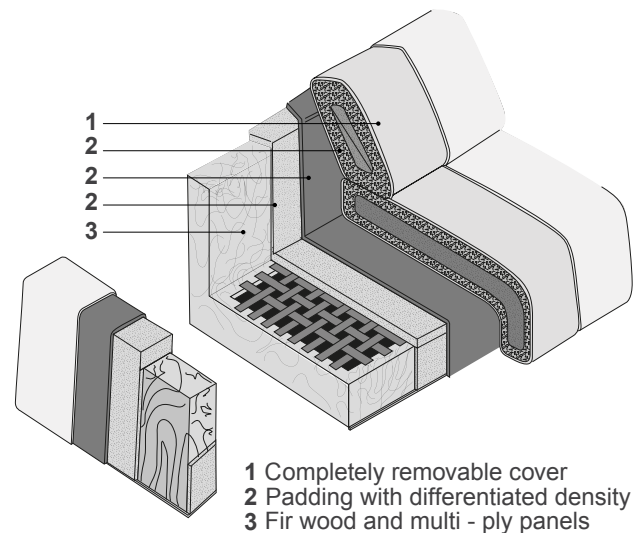
Kant

Design: Marconato & Zappa



Description

The Kant sectional is an excellent example of modularity which can be exploited to the fullest to best customize a wide variety of configurations. The padding of the seat cushions is made of double differentiated density polyurethane, covered with dacron fibers. The padding of the backrest cushions is instead made of 50% goose down and 50% polyester fibers: a solution that guarantees a high degree of comfort without compromising the definition of the shapes. The structure is made of solid fir or plywood, with springing obtained with intertwined elastic belts 3"1/2 (90 millimeters) wide. Covered with differentiated density polyurethane and cotton fabric. Completely removable covers in fabric. Non-removable covers in leather. This series also features coffee tables with marble tops and bases covered in the fabrics available in the collection. Feet in black ABS. Made in Italy.

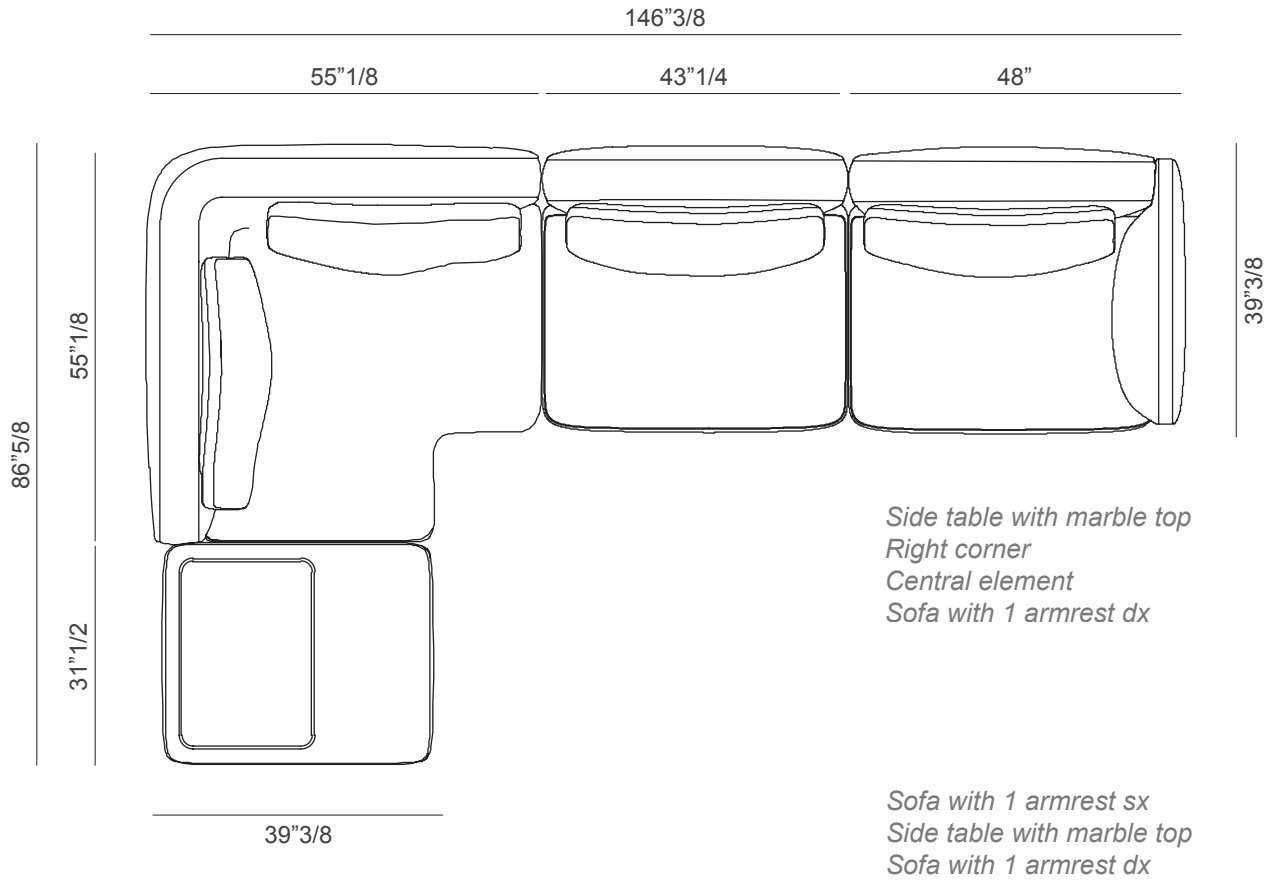


Kant

Suggested compositions

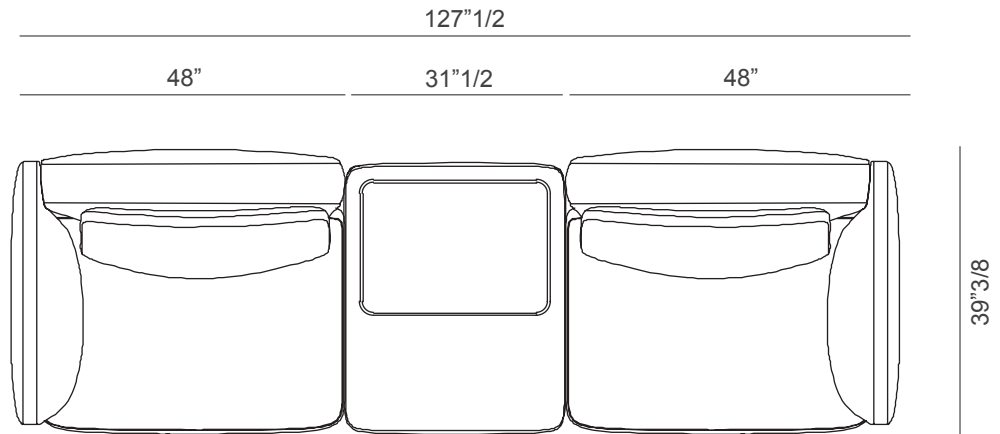
Composition 1

146"3/8W x 86"5/8D x 31"1/2H



Composition 2

127"1/2W x 39"3/8D x 31"1/2H

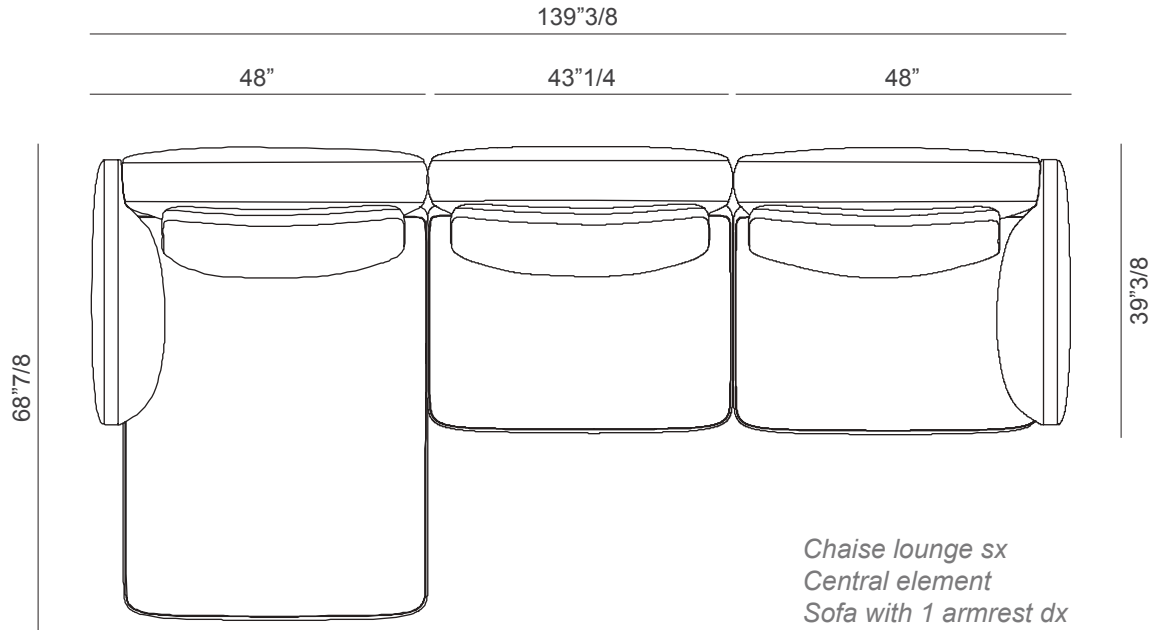


Kant

Suggested compositions

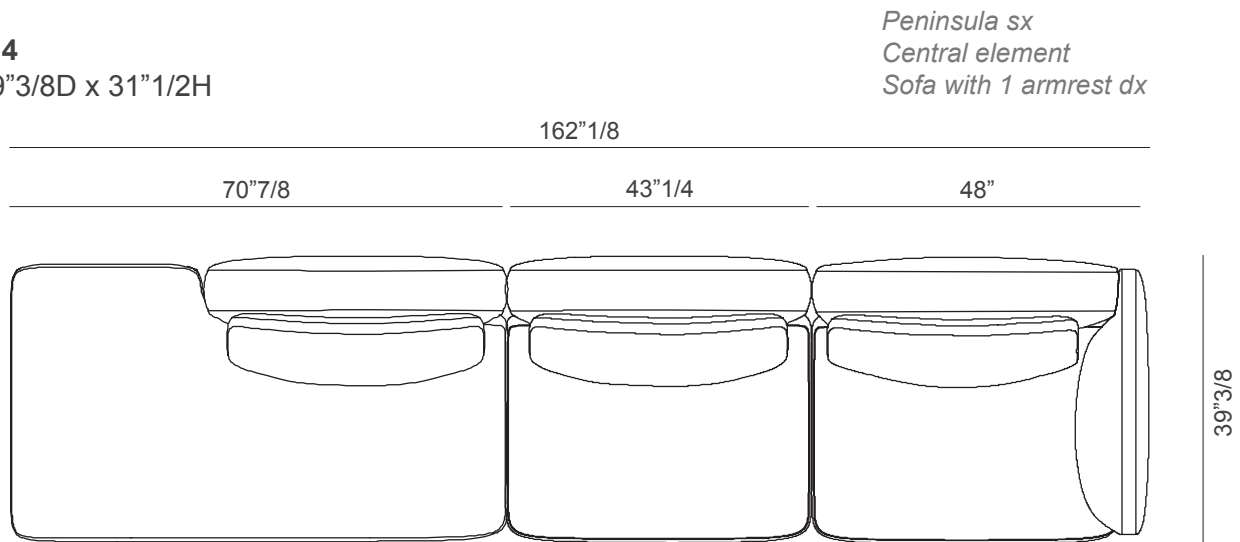
Composition 3

139"3/8W x 68"7/8D x 31"1/2H



Composition 4

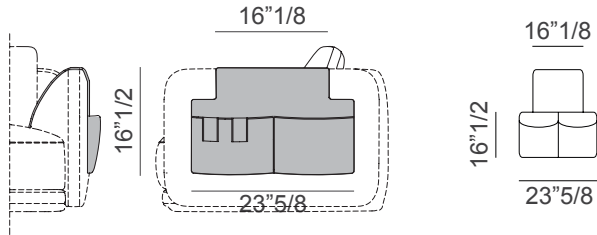
162"1/8W x 39"3/8D x 31"1/2H



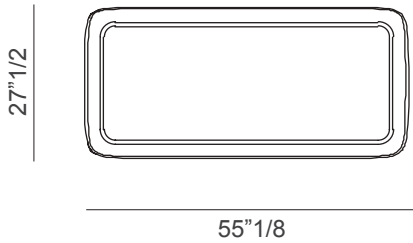
Kant

Accessories available

Carry-all in leather

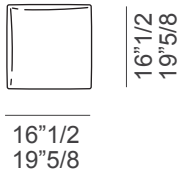


Coffee table with covered base and marble top



Decorative cushions:

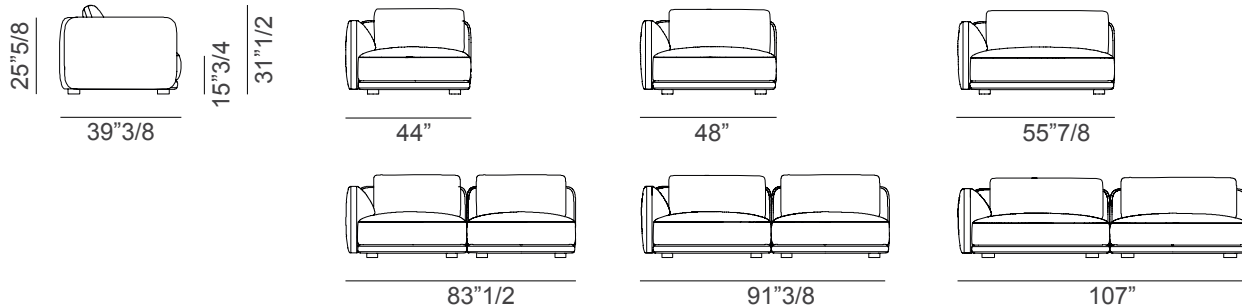
16"1/2W x 16"1/2H
19"5/8W x 19"5/8H



Kant

Modules available

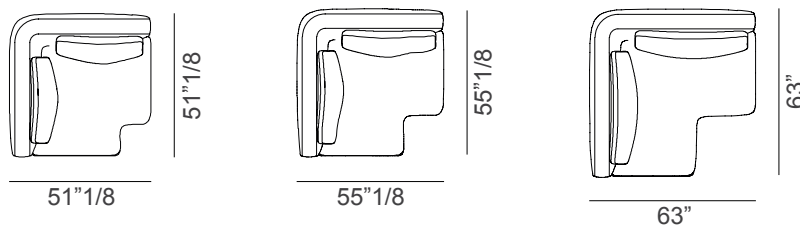
Sofas with 1 armrest sx/dx



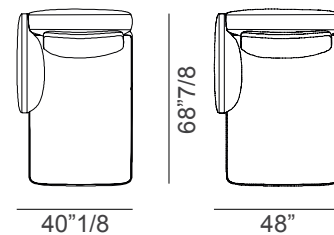
Central element for sofa



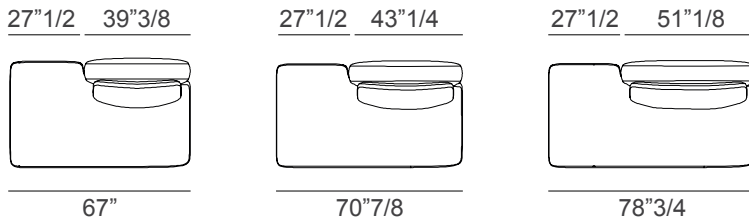
Right corner



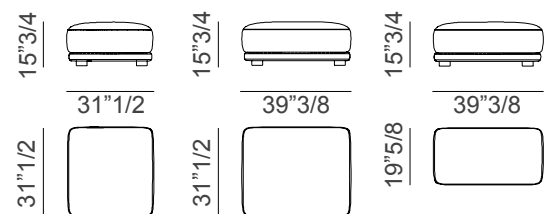
Chaise lounge sx/dx



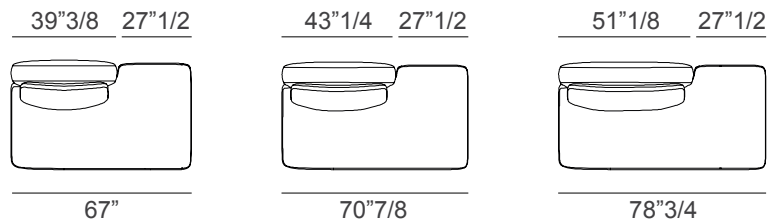
Peninsula sx



Ottoman



Peninsula dx



Side table with marble top

