

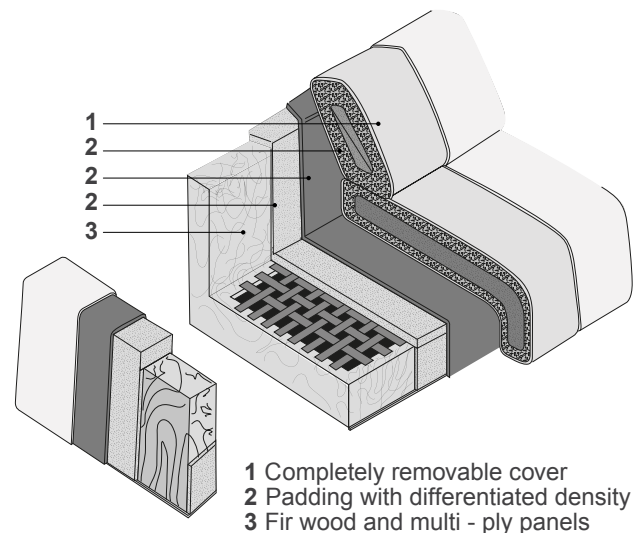
Kant

Design: Marconato & Zappa



Description

Sofa composed of two modules, with frame in fir wood and multi-ply panels. The support system is created using 3"1/2 (90 mm) wide interwoven elastic straps, covered in polyurethane differentiated densities 25P 40P and 150 gr. cotton cloth with velveteen. Seat cushions padded with polyurethane foam with differentiated density 35KN 30S and 150 gr. cotton cloth with velveteen. Back cushions padded with piumafill. Completely removable cover in fabric. Non-removable cover in leather. Feet in black ABS. Made in Italy.



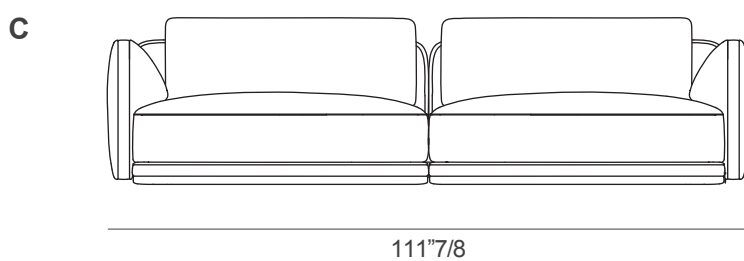
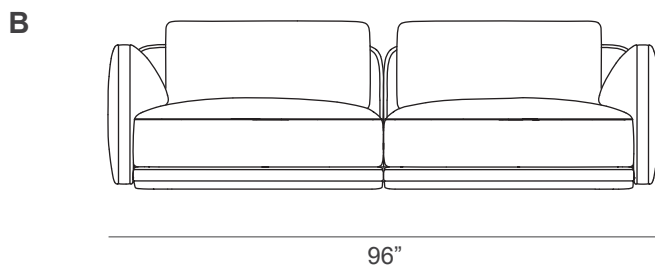
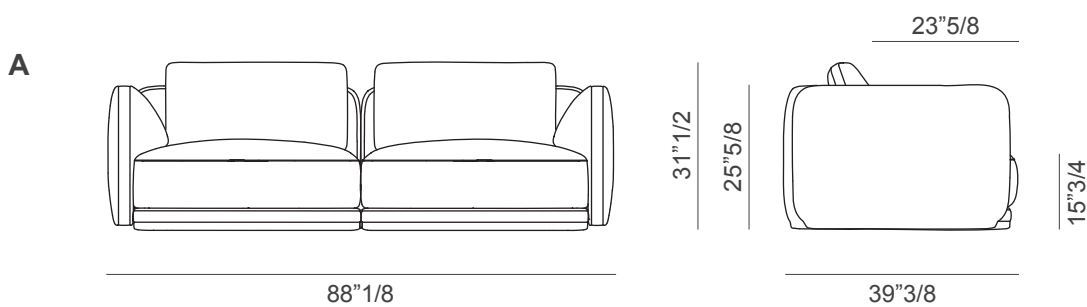
Kant

Dimensions

A: 88"1/8W x 39"3/8D x 31"1/2H

B: 96"W x 39"3/8D x 31"1/2H

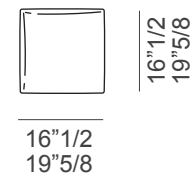
C: 111"7/8W x 39"3/8D x 31"1/2H



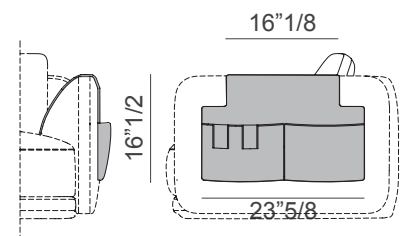
Decorative cushions:

16"1/2W x 16"1/2H

19"5/8W x 19"5/8H



Optional accessory:



Carry-all in leather