

Eiffel

Design: Signorotto+Partners



Description

The Eiffel round table is a refined expression of luxury Italian furniture, where sculptural design meets everyday functionality. Its fixed circular top rest gracefully on the table's distinctive crossed-leg structure. These slender, architectural metal blades create a dynamic visual play while ensuring complete freedom of movement for all diners.

A harmonizing circular ring embraces the base from below, echoing the shape of the top and giving the piece a balanced, elegant geometry. This thoughtful detail enhances the table's presence, making it an ideal centerpiece for intimate dining rooms, sophisticated kitchen areas, or contemporary open spaces where style and comfort must coexist.

For added versatility, the Eiffel round table can be complemented by an optional Lazy Susan, crafted in wood with a gently sloping edge. This rotating accessory enhances both convenience and hospitality, allowing effortless sharing while preserving the table's refined aesthetic.

A statement of timeless craftsmanship and contemporary elegance, the Eiffel round table elevates any interior with its fluid silhouette, premium materials, and unmistakable Italian design heritage. Made in Italy.

Finishes & Materials

Top: Stoneware matched with glass.

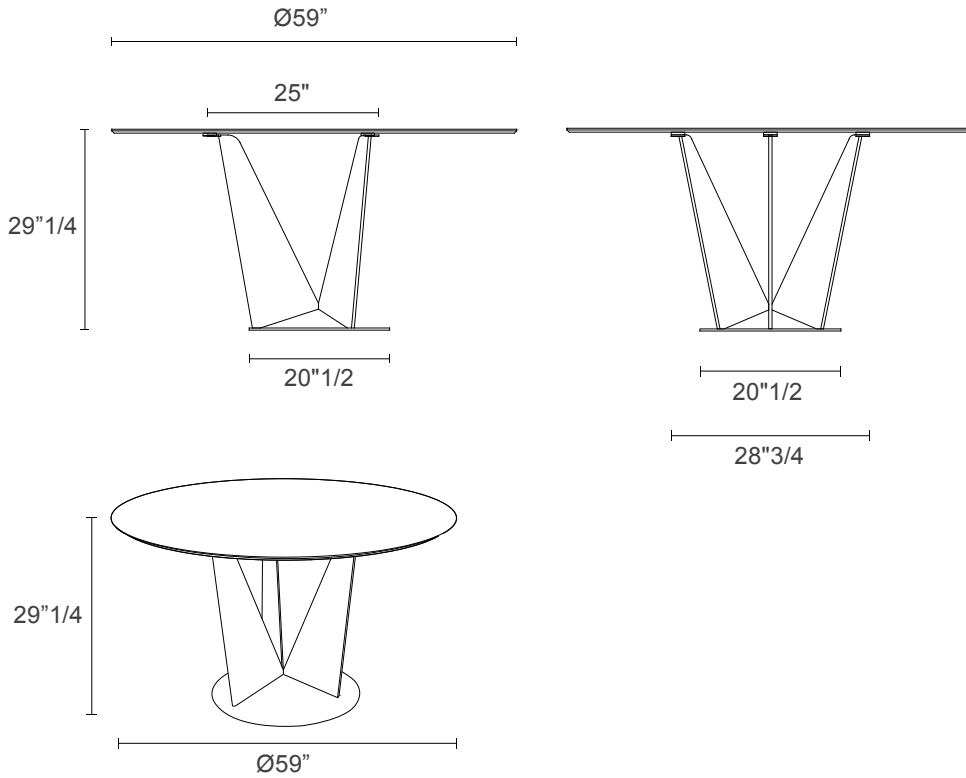
Base: Metal.

Optional Lazy Susan: Matt Lacquer or Up Surfaces with metal mechanism.

Eiffel

Dimensions

Ø59" x 29"1/4H - Cod. EF1150



Optional Lazy Susan

