

Hull

Design: Matteo Zorzenoni



Description

The Hull chair is available with or without armrests, offering a refined and versatile seating solution defined by clarity of form and artisanal quality. In both versions, the upholstered seat rests directly on the solid wooden frame, which can be stained in a wide range of sophisticated finishes to suit different interior styles.

The armless version represents the most essential expression of this Dallagnese design: comfortable, understated, and visually light. Its compact proportions, combined with visible stitching on the upholstered seat, make it particularly suitable for furnishing smaller spaces without sacrificing comfort or elegance.

The Hull chair with armrests highlights Dallagnese's exceptional attention to craftsmanship and detail. In this version, an elegant leather shell wraps the seat and backrest, transforming the chair into a more enveloping and structured design. The shell is made entirely of genuine hard leather in a range of refined color shades. Each element is 100% handcrafted: the individual parts are first shaped by a tailor specialized in leather footwear, then carefully sewn together by hand and reinforced with rivets. The result is a chair with armrests that combines tactile richness, durability, and a timeless, sophisticated character. Made in Italy.

Finishes & Materials

Cover: Non-removable Fabric, Leather or Eco-Leather.

Shell for armrests version: Hard Leather.

Frame: Wood.

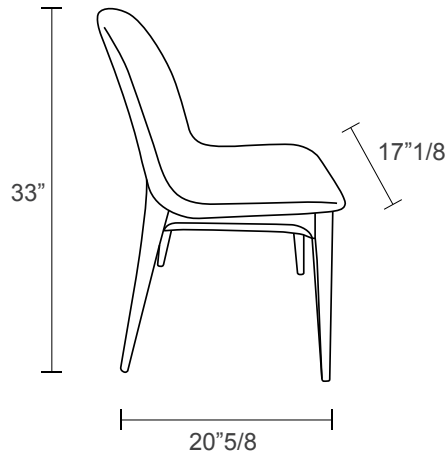
Hull

Dimensions

Without armrests: 17"1/8W x 20"5/8D x 33"H - Cod. 1HU01

With armrests: 24"3/8W x 20"5/8D x 33"H - Cod. 1HU02

Without armrests



With armrests

