

Slash

Design: Signarotto+Partners



Description

Slash is a versatile and user-friendly coffee table, available in square or rectangular versions and in both tall and low heights, designed to adapt effortlessly to different living room layouts. Its balanced proportions and functional design make it equally suitable as a central coffee table or as a refined side table within contemporary interiors.

The defining feature of Slash is its distinctive cross-shaped metal base, which provides structural stability while introducing a strong, architectural character. This solid base is available in a wide range of metal finishes, allowing the table to integrate seamlessly into different aesthetic contexts. Above it rests a tray-style top, framed by a wooden perimeter that adds warmth, depth, and tactile contrast to the design.

The perimeter frame is crafted in solid wood, veneered wood, or finished in elegant matt lacquered, creating a refined border that subtly contains the surface. The tabletop itself is available in wood or stoneware, combining durability with visual sophistication. The raised frame enhances usability by preventing objects from slipping, while reinforcing the table's practical and well-considered design. With its blend of functionality, material richness, and clean geometry, Slash is a coffee table conceived for modern living spaces that value versatility and refined detail.

Made in Italy.

Finishes & Materials

Top: Stoneware or CARB-02 certified wood particle board in Wood or Matt Lacquered finishes.

Perimeter Frame: Solid Wood.

Base: Metal.

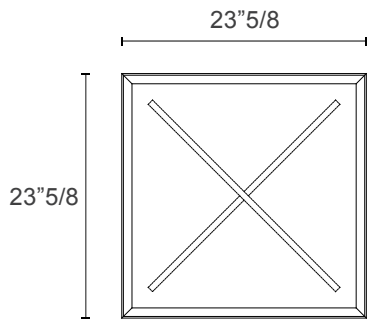
Slash

Dimensions

Square: 23"5/8W x 23"5/8D x 20"1/2H

Rectangular: 35"3/8W x 23"5/8D x 12"1/8H

Square



Rectangular

