

Wendy

Design: R&E D Dallagnese



Description

The Wendy chair is a remarkably durable and versatile seating solution, available with or without armrests to suit different aesthetic and functional needs. Its solid wooden frame is enhanced by a distinctive structural feature: the inner core of the backrest is made of steel, ensuring exceptional strength and long-term stability. This reinforced structure is generously padded and upholstered in fabric, leather, or eco-leather, delivering a high level of comfort while preserving a refined appearance.

In the version with armrests, Wendy showcases an elevated level of craftsmanship. The lateral edges of the armrests are shaped by hand through a meticulous tilting process, creating the visual impression of a single, continuous piece of wood that has been delicately hollowed out. The wide and comfortable seat provides excellent back support while leaving ample freedom for aesthetic expression.

The armless version offers a more essential and traditional interpretation of the Wendy chair. Defined by sleek lines, square and rigorous proportions, and a generously sized backrest, it is ideal for those who appreciate rational design and clean geometry. Its compact elegance makes it perfectly suited even for smaller environments, without compromising comfort or presence. Balanced, resilient, and thoughtfully designed, Wendy is a chair that adapts effortlessly to contemporary interiors while maintaining a timeless appeal. Made in Italy.

Finishes & Materials

Cover: Non-removable Fabric, Leather or Eco-Leather.

Frame: Wood.

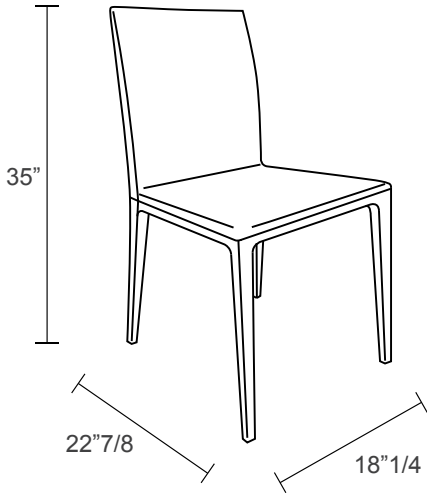
Wendy

Dimensions

Without armrests: 18"1/4W x 22"7/8D x 35"H - Cod. 1WE01

With armrests: 21"1/4W x 22"7/8D x 35"H - Cod. 1WE02

Without armrests



With armrests

