

Olympia

Design: Euroluce



Description

The Olympia chandelier is offered in an elegant black nickel finish and two expressive color options: a fumé version highlighted by a topaz crystal sphere, and a warm brown version accented with a viridian crystal sphere. Its sculptural arms and wide glass discs are handmade in Veneto, celebrating the region's renowned glassmaking tradition. The central body is crafted in Tuscany, uniting two Italian artisanal heritages in one creation. The sphere, the bobèche and key decorative components are made in cut crystal, adding brilliance and depth. The metal cup and the lower metal finial are designed exclusively from our drawing for a fully customized silhouette. Made by skilled craftsmen, this chandelier embodies a search for perfection, meticulous detail and exceptional material quality. Made in Italy

Light bulbs not included. UL Certified.

Equipped with double insulation or reinforced insulation.

Olympia

Dimensions

8 ARMS: Ø42"1/8" X 23"5/8H

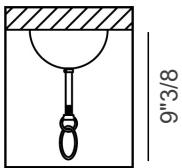
10 ARMS: Ø42"1/8" X 23"5/8H

12 ARMS: Ø42"1/8" X 23"5/8H

Light Source

1 light per arm, E12 x max 28W.

Light bulbs not included.

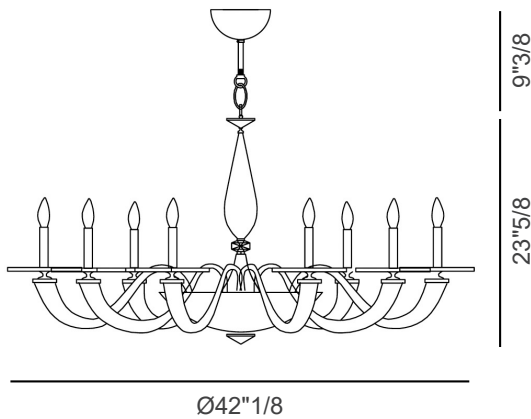


HOOK WITH CHAIN: 9"3/8H

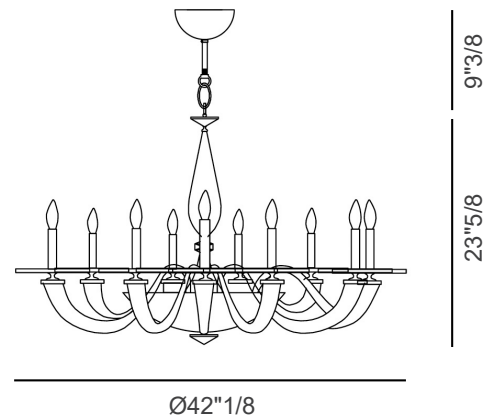
Hook with the ceiling cup and cable minimum height

The height of the chandeliers is calculated by excluding the hook.

8 ARMS - L8



10 ARMS - L10



12 ARMS - L12

