

Amadeus

Design: Roberto Lazzeroni



Description

Rectangular dining table with top edges in solid Canaletto walnut available in three finishes. The legs are in Canaletto walnut with inserts in marble: polished Calacatta, Portoro, Zebrino and purple Calacatta. The top insert, composed of one or two slates is in the same marble as the legs. Made in Italy.

Note: Grigio astratto marble is available only for double slate tops.



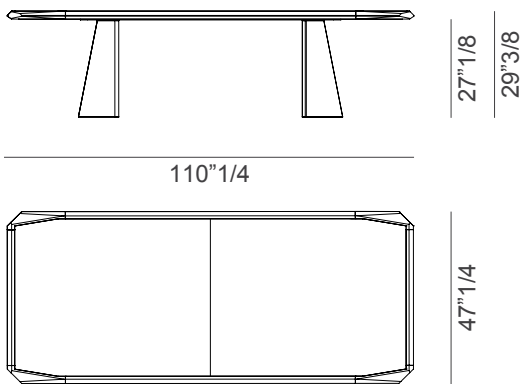
Amadeus

Dimensions

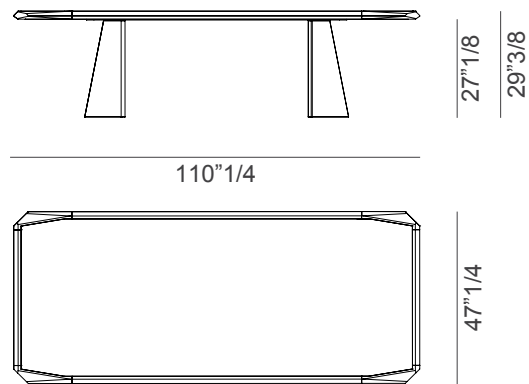
A: 110"1/4W x 47"1/4D x 29"3/8H

B: 157"1/2W x 47"1/4D x 29"3/8H

A Double slate top



Single slate top



B Double slate top

