

## Genius

*Design: Roberto Lazzeroni*



### *Description*

Office armchair with internal structure in profiled steel for the back and poplar plywood for the seat. Padding in flexible cold-foamed polyurethane covered with fibers. Available in executive wing armchair and guest armchair versions. They both have a 5 point revolving base, rotating castors, gas spring for height regulation and a fixed and tilting mechanism. The wheels, the base and the connection between the base and the seat are painted in a bronze color with natural effect. The non-removable upholstery is available in fabric or leather, in one color or in two colors with the external side in leather and the internal one in fabric or leather. Made in Italy.

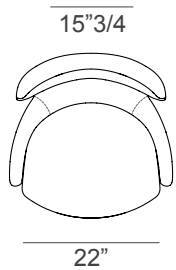
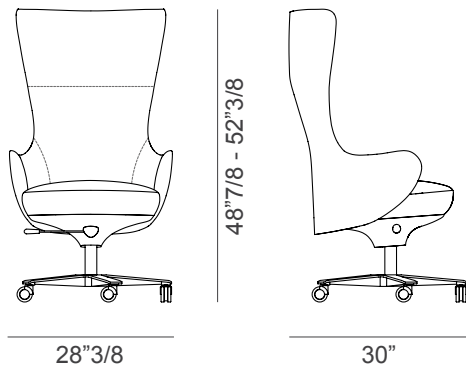


## Genius

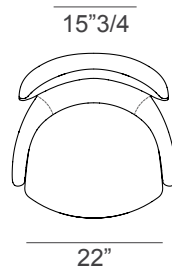
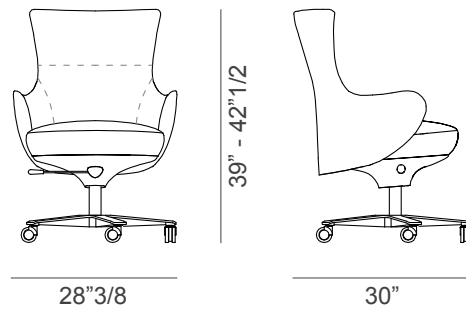
### Dimensions

**Executive wing armchair:** 28"3/8W x 30"D x 48"7/8 - 52"3/8H

**Guest armchair:** 28"3/8W x 30"D x 39" - 42"1/2H



**Executive wing armchair**



**Guest armchair**