

Unotto

Design: Enrico Azzimonti

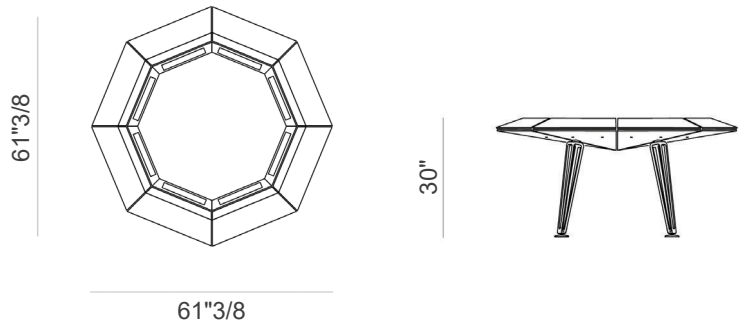


Description

The entire structure of the poker table is made of crystal glass and is inspired by the classic cut of the diamond. The octagon table consists of a frame made of marble that supports the playing surface in Alcantara®. The gold finished metal legs and metal feet make this jewel of an Italian design even more brilliant. Luxury Poker table for 8 players. Also available for 10 players. Made in Italy.

Dimensions

61"3/8W x 61"3/8D x 30"H



Materials

- Crystal glass structure;
- Gold finish metal legs.
- Metal feet and components;
- Marble top frame around the playing surface;
- Alcantara® playing field.

Accessories

- 8 Leather armrests;
- 1 Leather and crystal box including professional poker game set.