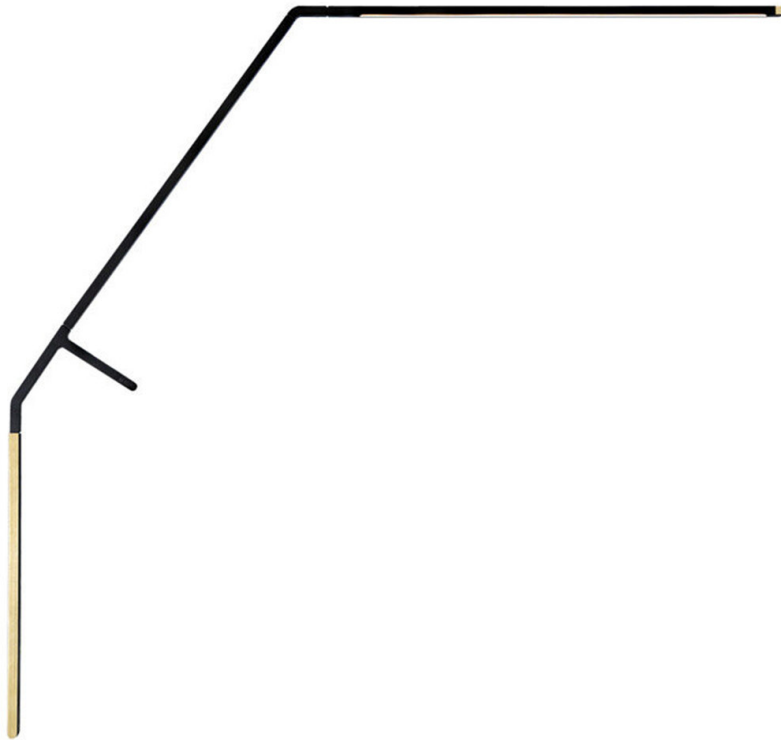


# Bird Table Lamp

*Design: Bernhard Osann*



## *Description*

Bird is a unique project born from a blend of ongoing ambition, refined design awareness, and precise engineering. Designed to rest on the edge of virtually any surface, it achieves a delicate balance through a structure that can sway and move freely while consistently returning to perfect horizontality, a result made possible by its vertical brass counterweight. The lighting element is housed within the arm and rotates around its own axis, enabling both direct and indirect diffused light. This combination of movement, balance, and versatile illumination creates an object that is both technically sophisticated and visually striking.

## Bird Table

---

### *Finishes & Materials*

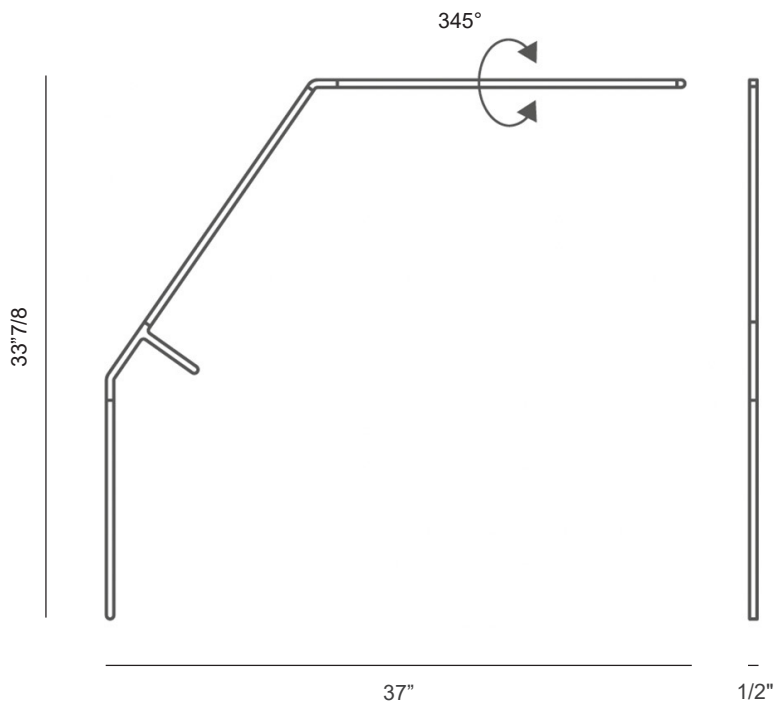
**Structure:** Aluminum

**Details:** Brass

### *Dimensions*

**Size:** 1/2"W x 37"D x 33"7/8H

**Model:** Bird



<b>Source</b>	Linear LED
<b>Total power</b>	10W
<b>Emission</b>	Diffused
<b>Switching</b>	Dimmable on board
<b>Tension</b>	110V
<b>Color Temperature</b>	2700K
<b>Luminous Flux Led</b>	715lm
<b>Typ CRI</b>	85
<b>IP class</b>	IP20
<b>Materials</b>	Aluminum, technopolymer, brass
<b>Notes</b>	Cable length 78"3/4, 345° orientable head