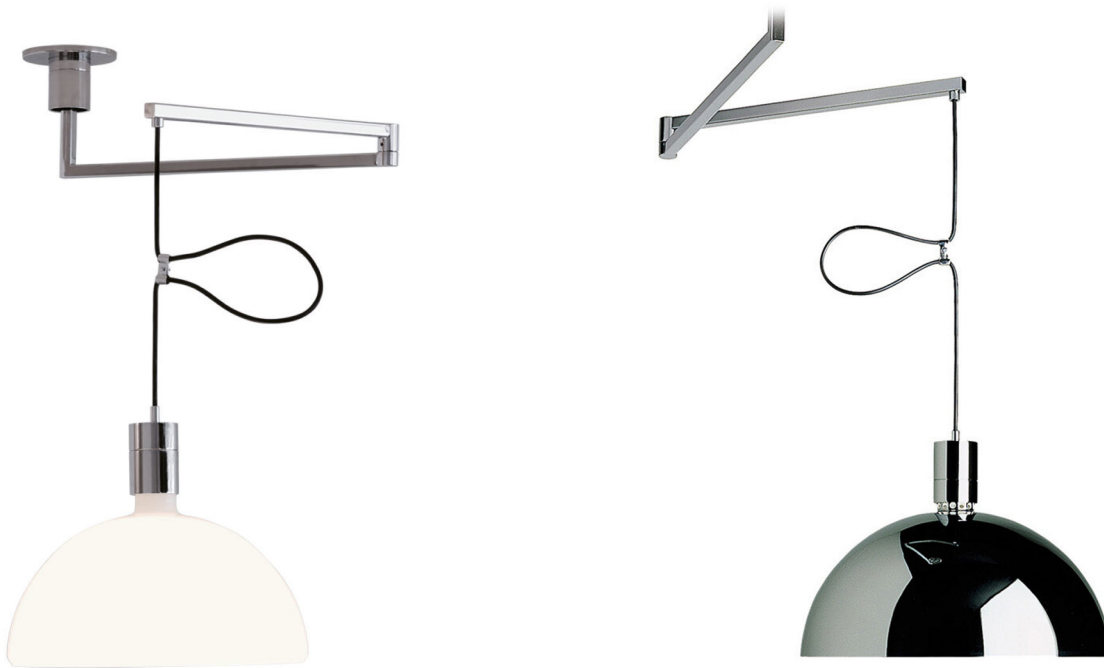


# AS41 Suspension Lamp

*Design: F.Albini, F.Helg, A.Piva, M.Albini*



## *Description*

The Albini AM/AS collection reflects the rationalistic principles of the Milanese architect, translating them into a series of pieces defined by clarity, proportion, and essential geometry. Created in 1969, the design brings together clean, linear shapes with exceptional material quality, particularly evident in the hand-blown glass used for the diffusers. The collection was conceived with the ambition of organizing and harmonizing the varying volumes of an interior through one unified design language, offering coordinated solutions for the ceiling, wall, floor, and table.

AS41C

## Finishes & Materials

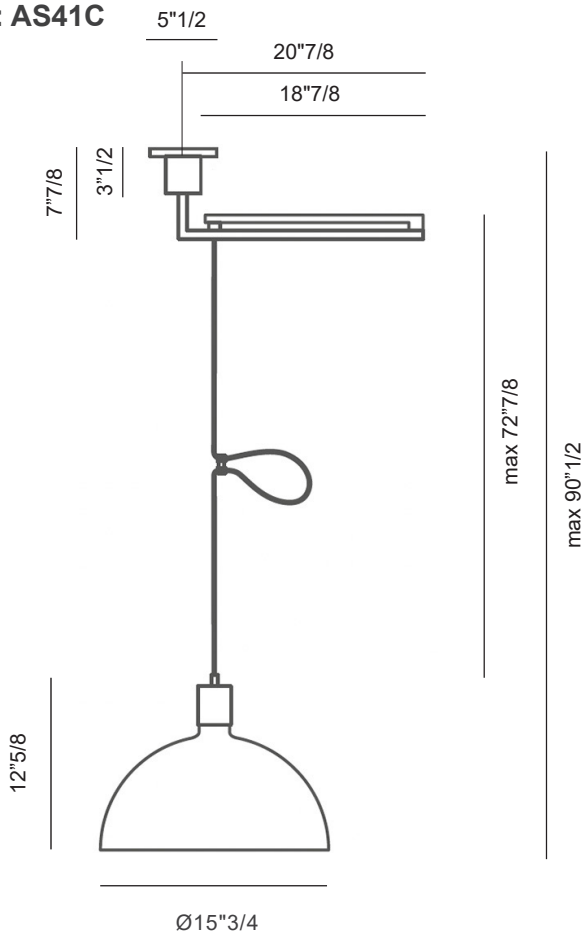
**Structure:** Steel

**Diffuser:** Glass

## Dimensions

**Size A:** Diffuser:  $\text{Ø}15\frac{3}{4}$  x  $12\frac{5}{8}$ H

**Model:** AS41C



<b>Source</b>	E26
<b>Total power</b>	250W
<b>Emission</b>	Diffused
<b>Switching</b>	Dimmable according to bulb
<b>Tension</b>	110V
<b>IP class</b>	IP20
<b>Materials</b>	Steel and glass
<b>Notes</b>	max cable length $72\frac{7}{8}$ , orientable arm total length $39\frac{3}{8}$ , cable adjustable only by the loop (curved part), cable not to be cut

AS41Z

## Finishes & Materials

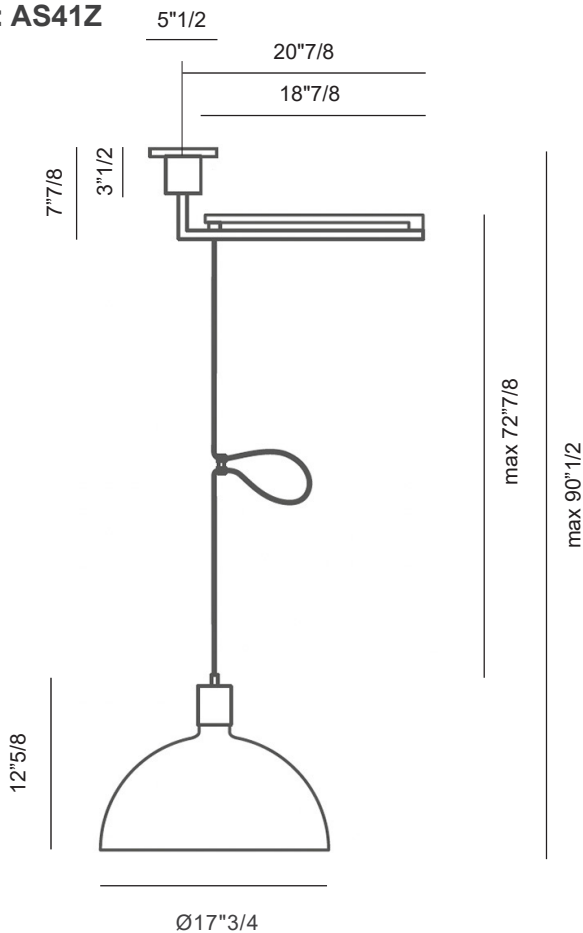
**Structure:** Steel

**Diffuser:** Aluminum

## Dimensions

**Size B:** Diffuser:  $\text{Ø}17\frac{3}{4} \times 12\frac{5}{8}\text{H}$

**Model: AS41Z**



<b>Source</b>	E26
<b>Total power</b>	250W
<b>Emission</b>	Indirect
<b>Switching</b>	Dimmable according to bulb
<b>Tension</b>	110V
<b>IP class</b>	IP20
<b>Materials</b>	Steel and aluminum
<b>Notes</b>	max cable length $72\frac{7}{8}$ , orientable arm total length $39\frac{3}{8}$ , cable adjustable only by the loop (curved part), cable not to be cut