

Panama Mini Table Lamp

Design: Euga Design



Description

The modern Panama Mini Table Lamp is characterized by a restrained, linear design that combines a cone-shaped base with a slim stem and a flat, minimal lampshade. Its meth acrylate construction contributes to both its visual lightness and its durability. Each lamp features a polycarbonate reflector treated with an anti-glare finish, ensuring illumination that remains comfortable and practical whether used at home or in workplace environments.

This elegant smaller model is available as a cordless rechargeable option, offering the convenience of portable lighting without reliance on constant power. The rechargeable unit operates for up to 17 hours on a full charge and requires 7 hours to restore its battery, making it suitable for flexible use across different spaces and situations.

Panama

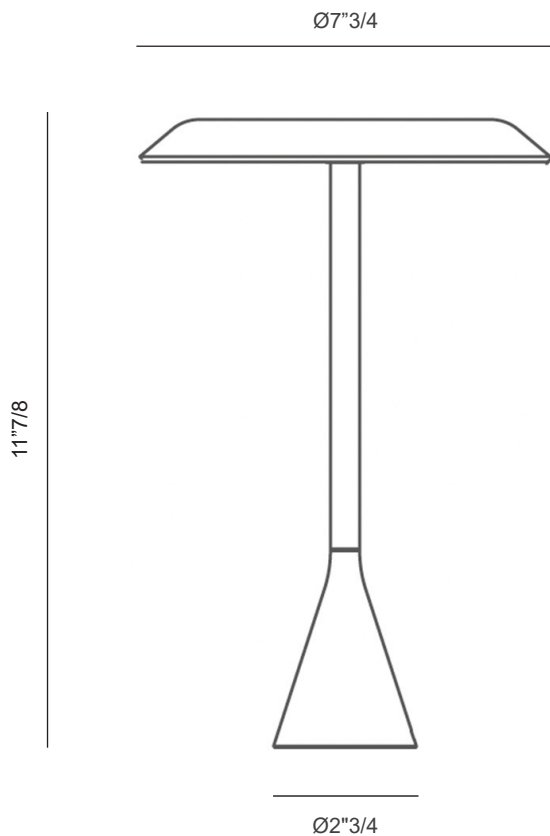
Finishes & Materials

Structure: Aluminum

Dimensions

Size: Ø7"7/8 X 11"7/8H

Model: Panama Mini LED Version



Source	LED board
Total power	13W
Emission	Diffused
Switching	Switch on cable
Tension	110V
Color temperature led	2700K
Luminous flux led	411lm
Typ CRI	85
IP class	IP20
Materials	Aluminum
Notes	Cable length 59"

Panama

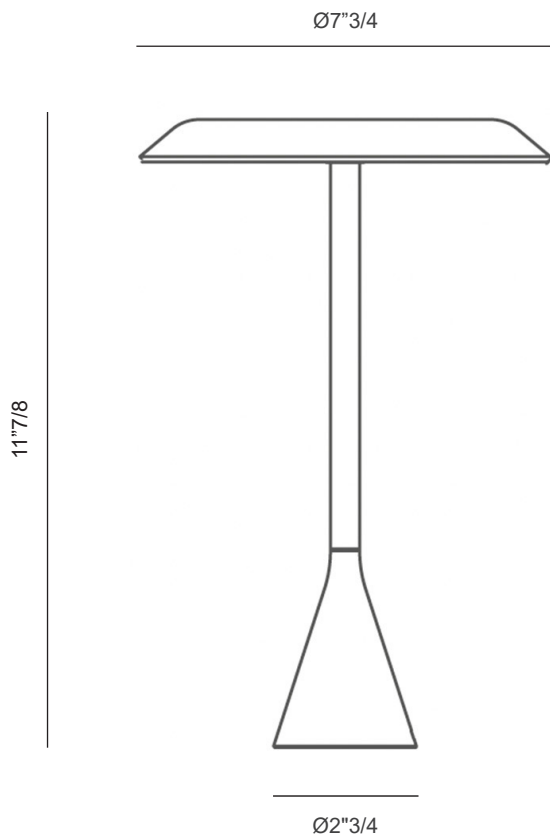
Finishes & Materials

Structure: Aluminum

Dimensions

Size: Ø7"7/8 X 11"7/8H

Model: Panama Mini LED Battery Version



Source	LED board
Total power	3W
Emission	Diffused
Switching	Dimmable on board
Tension	5V
Color temperature led	2700K
Luminous flux led	190lm
Typ CRI	85
IP class	IP20
Materials	Aluminum
Notes	Cable length 47"1/4. Rechargeable, 17 hours battery life 7 hours charge time