

# Titia Suspension Lamp

*Design: Arihiro Miyake*



## *Description*

The modern Titia Minor Suspension Lamp advances the concept of dematerializing and miniaturizing light sources, presenting a sophisticated lighting solution in which the technology becomes inseparable from the structure. Rather than showcasing a visible source, the design emits a light that occupies the surrounding space, giving the impression that the vacuum is illuminated by the structure itself. Its construction relies on identical modules made from recycled polymer, produced through injection molding and fitted with quick couplings that simplify and speed up assembly. This modular system not only supports efficient construction but also results in a clean, understated silhouette, underscoring the project's focus on lightness, precision, and contemporary engineering. Made in Italy.

## Titia

---

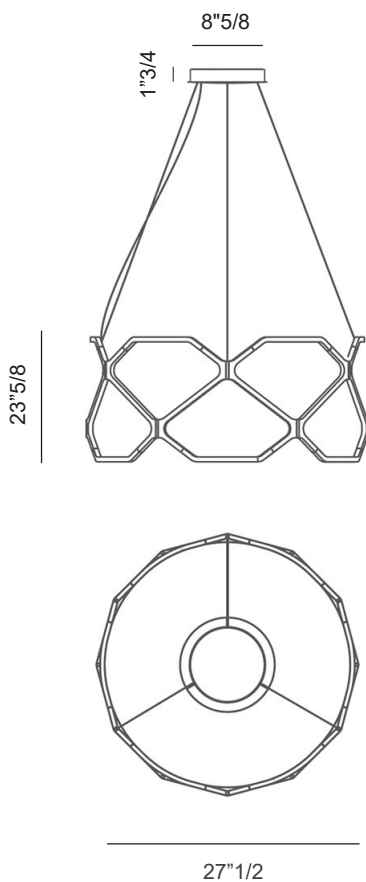
### *Finishes & Materials*

**Structure:** PC and ABS

### *Dimensions*

**Size:** Ø27"1/2, Structure Height: 12"1/8

**Model:** Titia Minor



<b>Source</b>	Linear LED
<b>Total power</b>	65W
<b>Emission</b>	Diffused
<b>Switching</b>	Dimmable 1-10V/TRIAC
<b>Tension</b>	110V
<b>Color Temperature</b>	2700K
<b>Luminous Flux Led</b>	2452lm
<b>Typ CRI</b>	85
<b>IP class</b>	IP20
<b>Materials</b>	PC and ABS
<b>Notes</b>	Cable length 118"1/8