

# Afrodite Desk

*Design: Carlo Ballabio*



## *Description*

Named after the Greek goddess of beauty, The transitional Afrodite is a modern desk designed by Carlo Ballabio for Porada. Its frame is entirely crafted from solid Canaletta walnut, offered in natural, Moka, Wengé stains or in any matt lacquered color of the collection. A three-drawer module can be placed on either side to suit personal needs.

The top comes in a wide range of finishes: wood, leather, marble, or glass, making the desk adaptable to settings of any style, from classic to contemporary. In the wood and leather versions, a fixed mirror can be added, or replaced with a free-standing mirror suitable for all top types (Free-standing mirror sold separately).

## *Finishes & Materials*

**Frame:** Wood

**Top:** Wood, glass, cuoietto, marble

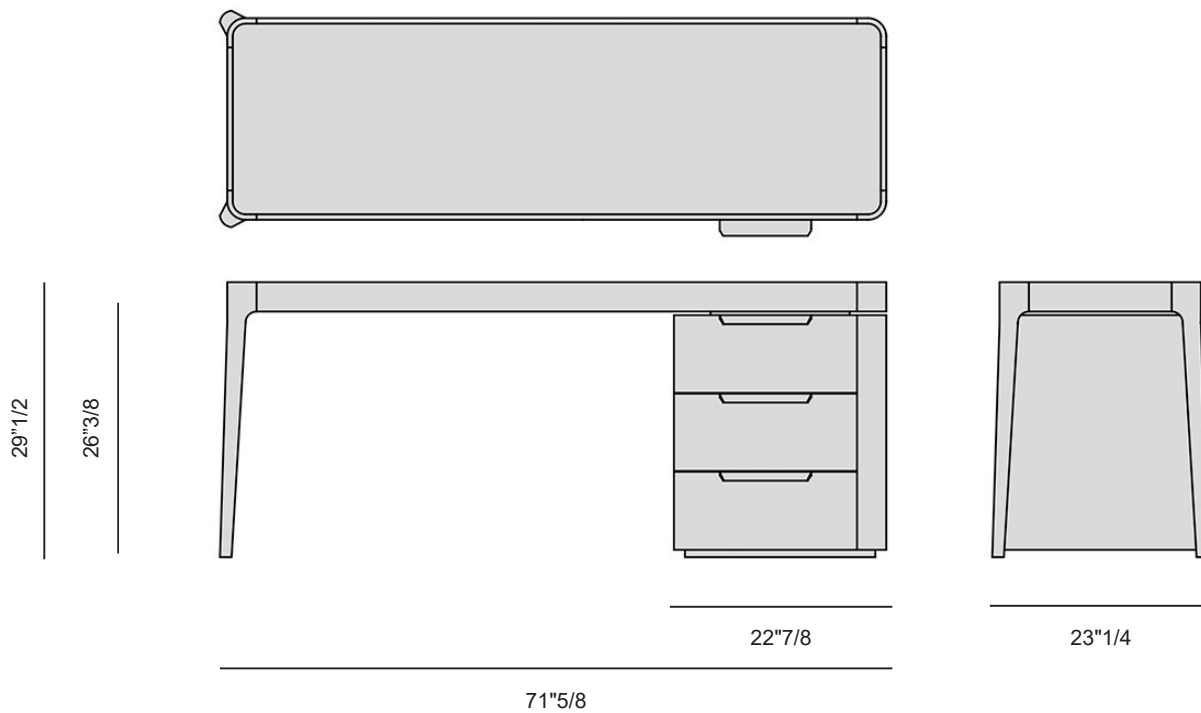
## Afrodite

---

### *Dimensions*

**Size:** 71"5/8W x 23"1/4D x 29"1/2H

**Drawers on the right:**



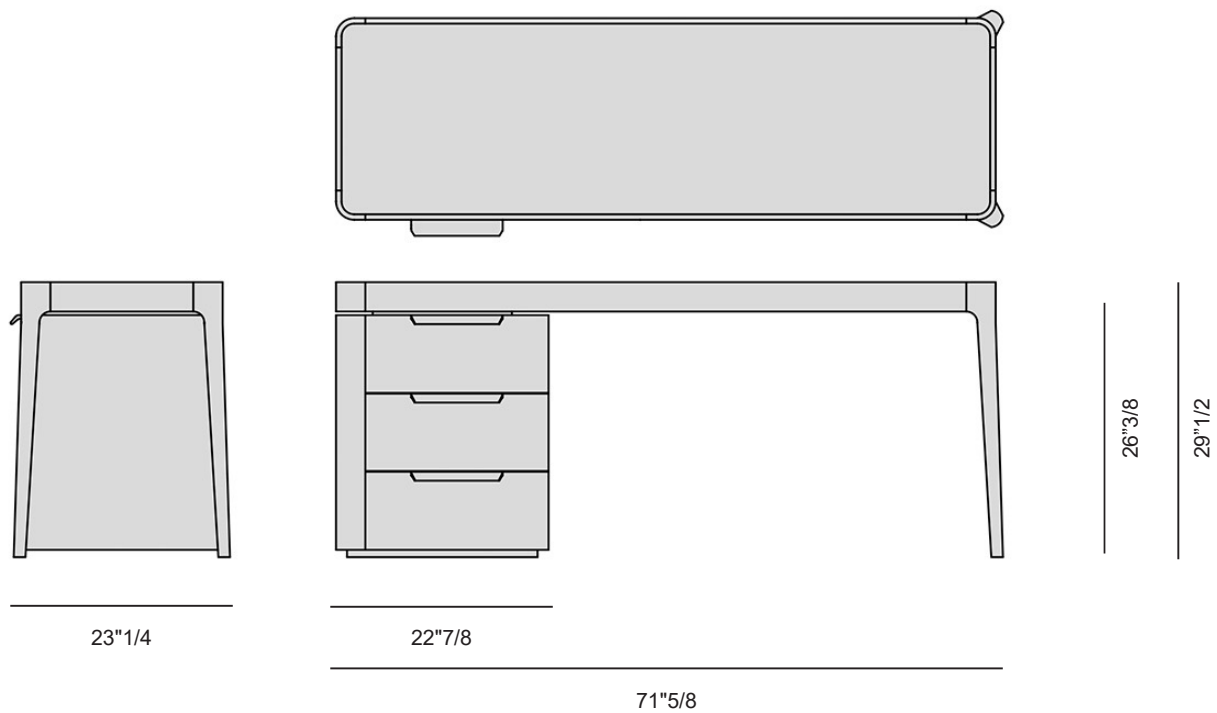
## Afrodite

---

### *Dimensions*

Size: 71"5/8W x 23"1/4D x 29"1/2H

Drawers on the left:



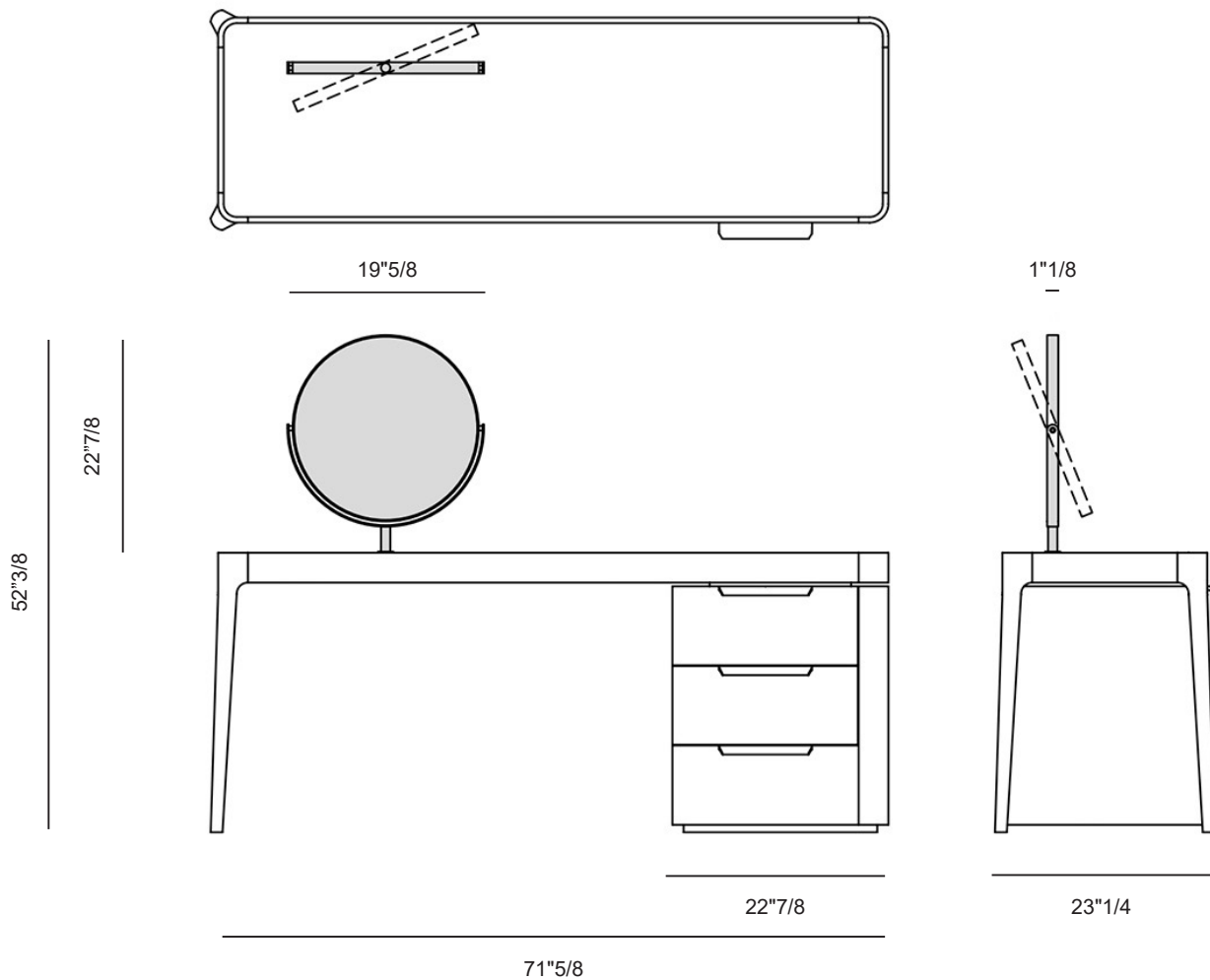
## Afrodite

---

### *Dimensions (With Fixed Mirror)*

Size: 71"5/8W x 23"1/4D x 52"3/8H

Drawers on the right:



## Afrodite

---

### *Dimensions (With Fixed Mirror)*

Size: 71"5/8W x 23"1/4D x 52"3/8H

Drawers on the left:

