

Hege



Description

The Hege fixed table stands out for its elegant architectural design, defined by a refined arch-shaped structure crafted from plywood and solid ash wood. The round structure, veneered in HDF, adds visual depth and structural balance, while highlighting the table's contemporary character.

Available with a round or oval tempered glass top with polished edges, Hege combines transparency and strength for a sophisticated dining experience. Refined MDF inserts complete the design, making this modern fixed table a perfect choice for stylish dining rooms, design-led interiors, and refined contemporary spaces. Made in Italy.

Hege

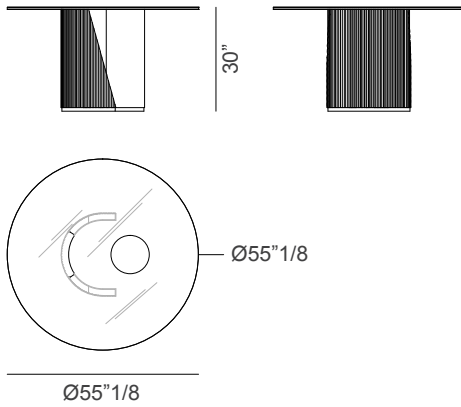
Dimensions

Round A: $\text{Ø}55\text{''}1/8 \times 30\text{''}H$

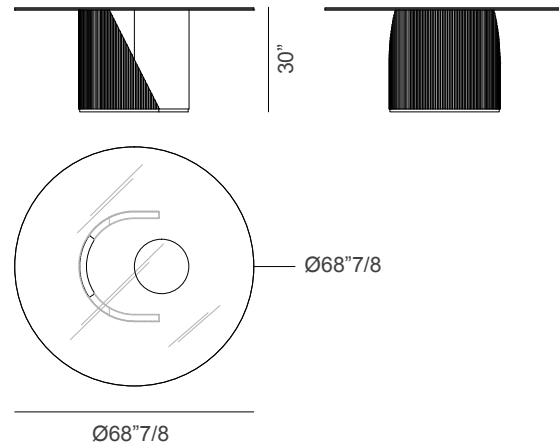
Round B: $\text{Ø}68\text{''}7/8 \times 30\text{''}H$

Oval: $86\text{''}5/8W \times 59\text{''}D \times 30\text{''}H$

Round A



Round B



Oval

