

Reuse Sofa

Design: Calvi Brambilla



Description

The transitional Reuse Sofa brings together the pleasure of relaxation with a strong commitment to environmental responsibility. Like the other pieces in the collection designed by Brambilla Calvi, the Reuse armchair features soft, curving shapes inspired by nature. Its structure is made of okumè wood, a material that is completely recyclable, water-repellent, and highly durable. The cover fabrics are crafted from hemp sourced from fertilizer-free cultivated plants and are available in a range of colors, reinforcing the armchair's sustainable character while offering aesthetic versatility.

Finishes & Materials

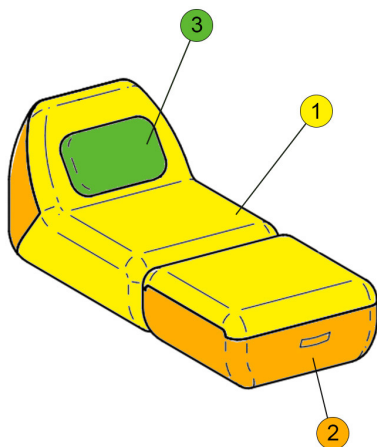
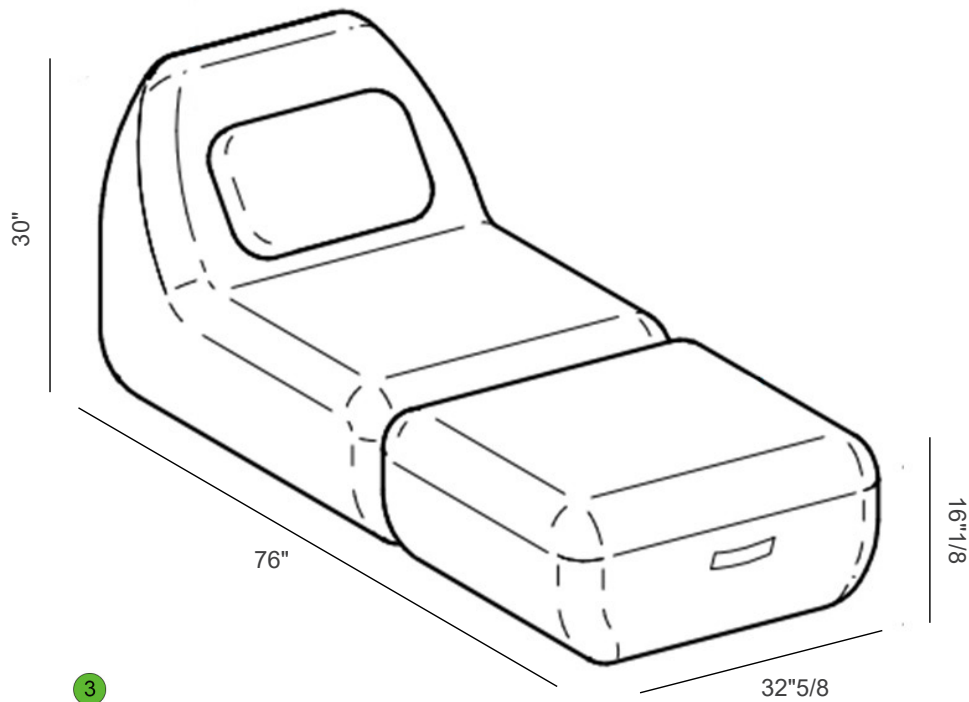
Cover: Fabric

Reuse Sofa

Sizes

Size: 32"5/8W x 76"D x 30"H

Composition A - Single or Fabric Combination



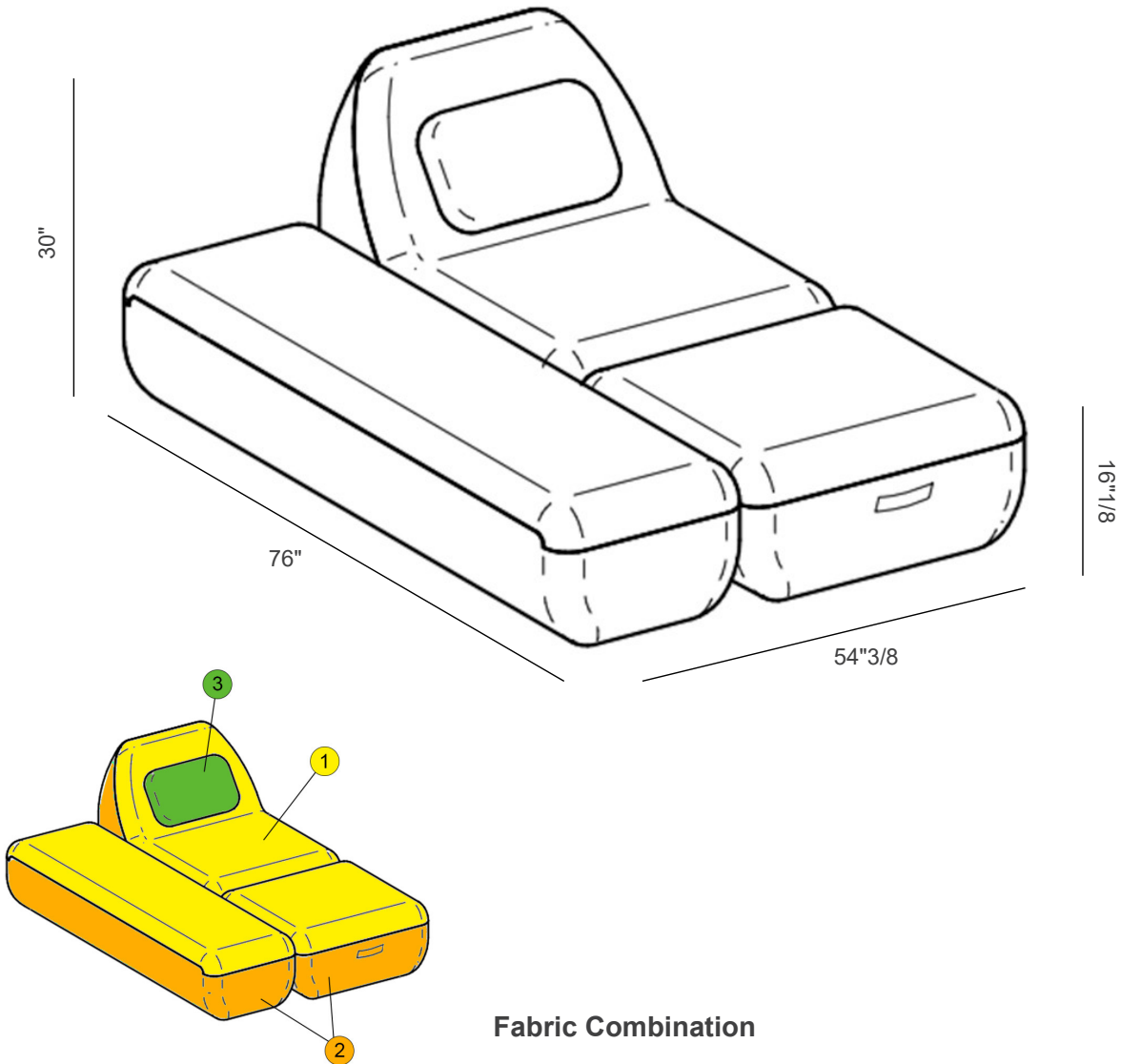
Fabric Combination

Reuse Sofa

Sizes

Size: 54"3/8W x 76"D x 30"H

Composition B- Single or Fabric Combination



Fabric Combination