

# Fitzgerald

*Design: La Conca*



## *Description*

The Fitzgerald sofa upholstered in leather or fabric, enclosed within an outer shell made of curved and veneered glossy multilayer wood, trimmed along the perimeter with a continuous metal profile. The base, featuring crossed elastic webbing, supports a removable seat cushion made of differentiated-density polyurethane, Memory Foam®, and down. The back cushions are also removable, filled with a mix of down and elastic polyurethane.

## *Finishes & Materials*

**Cover:** Fabric or leather.

**Back Structure:** Wood Veneer

**Details:** Metal.

## Fitzgerald

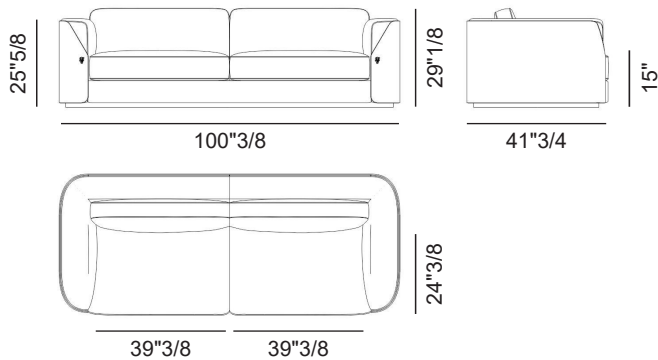
### Dimensions

**Size A:** 100"3/8W x 41"3/4D x 29"1/8H

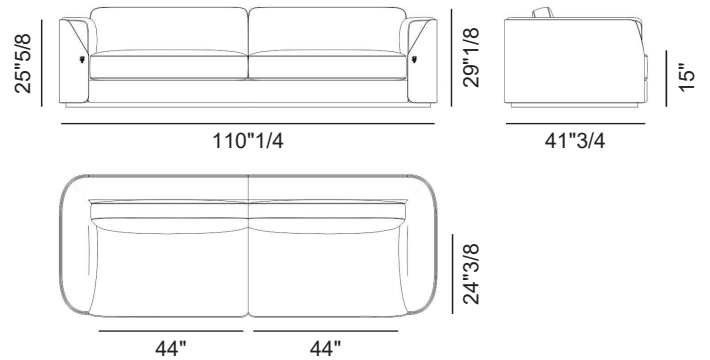
**Size B:** 110"1/4W x 41"3/4D x 29"1/8H

**Size C:** 120"W x 41"3/4D x 29"1/8H

#### Size A



#### Size B



#### Size C

