

Giano

Design: Alessandro La Spada



Description

Table lamp composed of two concentric glass tiers supported by a satin steel frame. The central body features a drum of borosilicate glass rods, available in clear, satin, or gold finishes. The central LED light source, shielded by an opaline diffuser, emits a soft and rich glow filtered by the vertical texture of the glass.

Finishes & Materials

Details: Metal.

Shade: Glass.

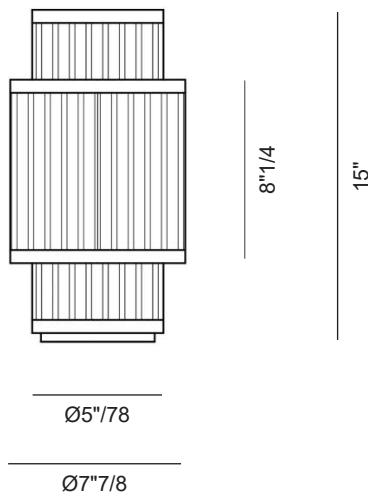
Giano

Dimensions

Size A: $\text{Ø}7\text{"}7/8 \times 15\text{"}H$

Size B: $\text{Ø}7\text{"}7/8 \times 20\text{"}H$

Size A



Size B

