

Milano

Design: Armando Bruno & Alberto Torres



Description

Table lamp with upper structure in embossed steel and central body in solid marble, available in monochrome or bicolor options. The prism-shaped diffuser in glossy polycarbonate, with a satin inner finish, softens the integrated LED source. A composition where material depth and formal rigor create a luminous and solid balance.

Finishes & Materials

Inserts: Marble.

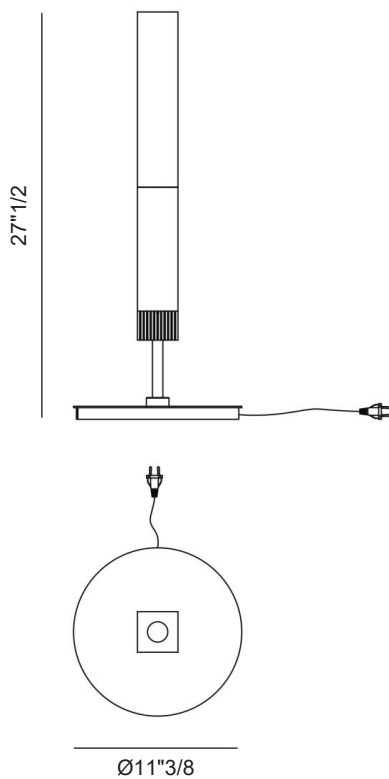
Base: Metal.

Milano

Dimensions

Ø11"3/8 x 27"1/2H

Monochrome



Bicolor

