

Milano

Design: Armando Bruno & Alberto Torres



Description

Wall light in marble and steel, with a central body in solid marble, also available in a two-tone version. The upper structure in grooved metal supports a prismatic diffuser in solid polycarbonate with a satin-finished interior. Offered in selected metallic finishes.

Finishes & Materials

Inserts: Marble.

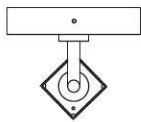
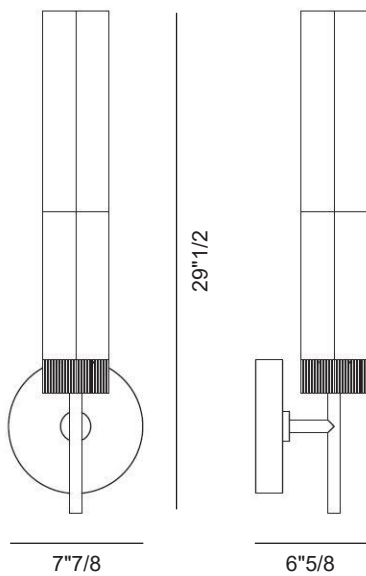
Base: Metal.

Milano

Dimensions

7"7/8W x 6"5/8D x 29"1/2H

Monochrome



Bicolor

