

Planet

Design: Steve Leung



Description

Planet office armchair with a load-bearing structure in curved and solid wood, complemented by a seat supported by elastic webbing suspension. The differentiated-density padding ensures comfort and support, while the leather upholstery creates seamless surfaces, with armrests and backrest adorned by quilted embroidery and perforation details. The five-star swivel base in stainless steel is height-adjustable and available in a selection of metallic finishes.

Finishes & Materials

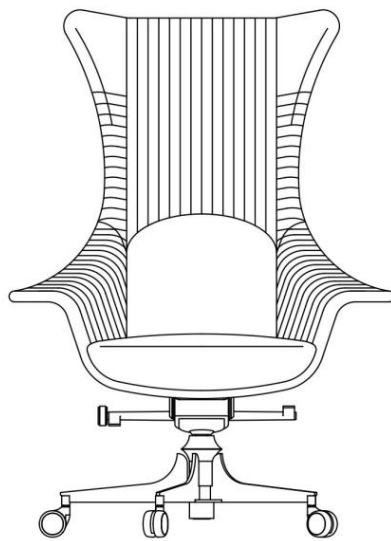
Cover: Fabric or leather.

Base: Metal.

Planet

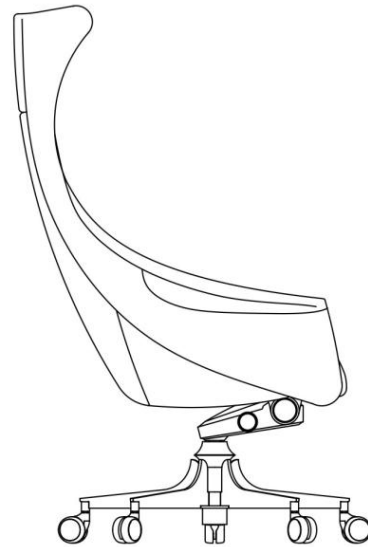
Dimensions

37"3/8W x 31"D x 51"1/8-54"3/8H



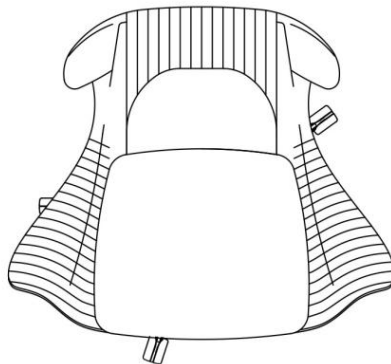
51"1/8 - 54"3/8

37"3/8



19"5/8 - 22"7/8

31"



18"1/2